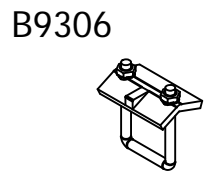
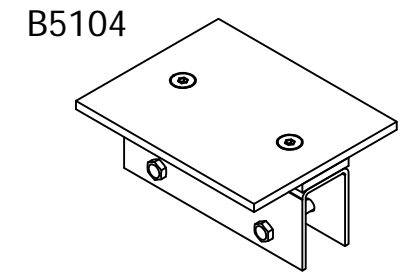
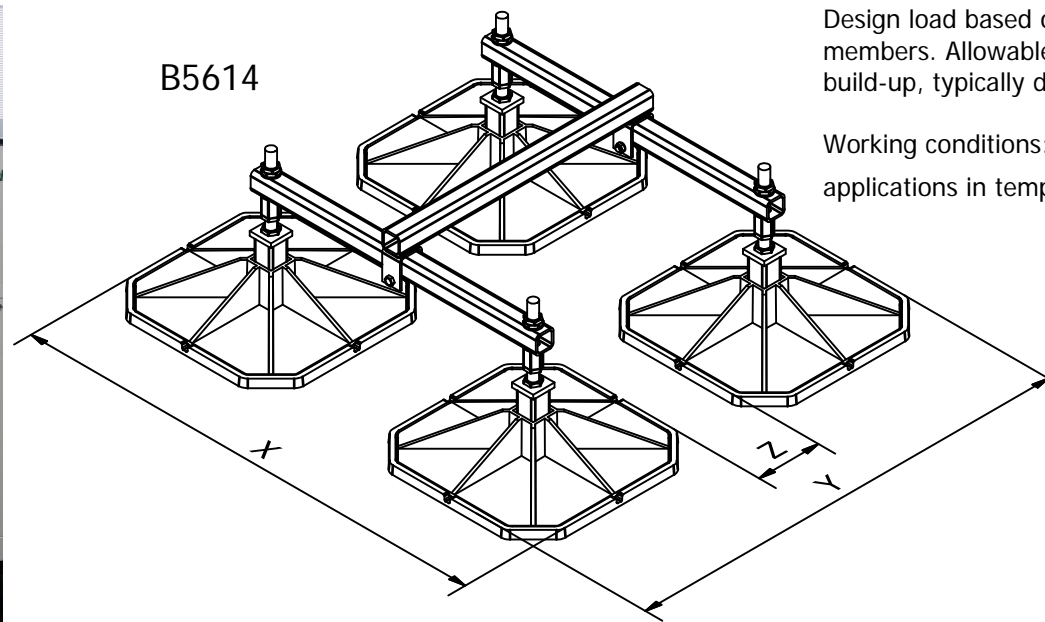
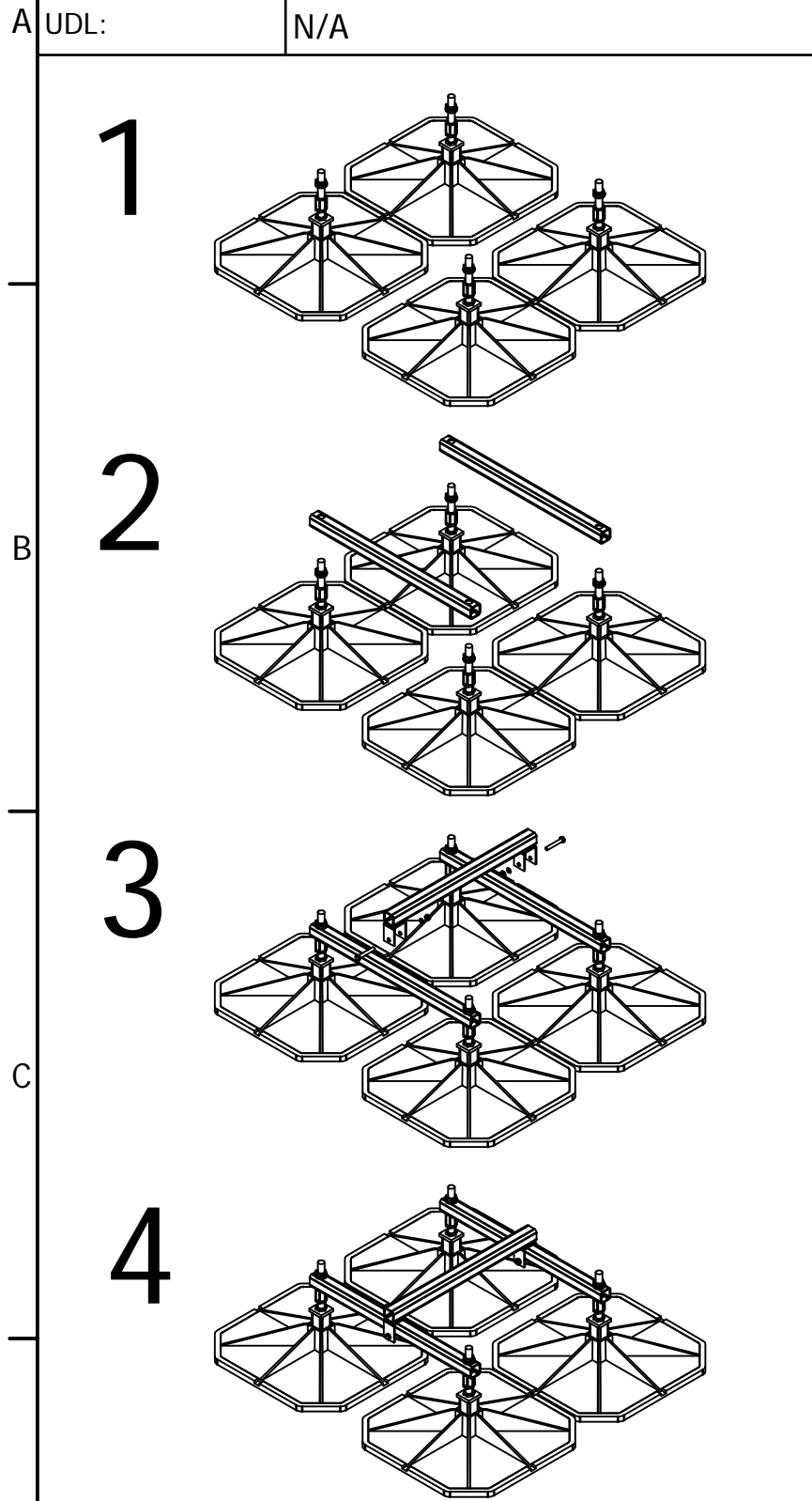


PROJECT REF:	HD Adjustable Cube
UNIT REF:	N/A
FOOT PRESSURE:	N/A
UDL:	N/A

Material grade: BS EN 10219-1:2006 (S235JR). Welding standard: BS EN ISO 15614-1. Galvanizing standard: BS EN ISO 1461:2009
 Reference specification document "Custom Fabrication Specification" (BF-SPEC-050411) for further information
 Reference specification document "Big Foot Systems Cross Bar Specification (BF-SPEC-230610) for further information

		HD Adjustable Cube									
Part Number		B5611	B5612	B5613	B5614	B5615	B5616	B5617	B5618	B5619	
Description (Height/Foot Size)		360/305	560/305	800/305	360/450	560/450	800/450	360/600	560/600	800/600	
X	Overall Length	mm	1066	1066	1066	1222	1222	1222	1378	1378	1378
		inches	42	42	42	48 1/8	48 1/8	48 1/8	54 1/4	54 1/4	54 1/4
Y	Overall Width	mm	979	979	979	1135	1135	1135	1291	1291	1291
		inches	38 1/2	38 1/2	38 1/2	44 5/8	44 5/8	44 5/8	50 7/8	50 7/8	50 7/8
Z	Distance Between Feet	mm	319	319	319	163	163	163	7	7	7
		inches	12 1/2	12 1/2	12 1/2	6 3/8	6 3/8	6 3/8	1/4	1/4	1/4
Height	Min	mm	350	350	800	350	350	800	350	350	800
		inches	13 3/4	13 3/4	31 1/2	13 3/4	13 3/4	31 1/2	13 3/4	13 3/4	31 1/2
	Max	mm	410	610	860	410	610	860	410	610	860
		inches	16 1/8	24	33 3/4	16 1/8	24	33 3/4	16 1/8	24	33 3/4
Frame Weight	kg	39	42	48	52	56	64	74	76	83	
	lbs	86	93	106	115	123	141	163	168	183	
Design Load	kg	1000	1000	1000	2000	2000	2000	3000	3000	3000	
	lbs	2205	2205	2205	4409	4409	4409	6614	6614	6614	



HD Cube Ancillaries							
Part No.	Description	Length		Width		Weight	
		mm	inches	mm	inches	kg	lbs
B5104	HD Mounting Plate	250	9 13/16	100	3 15/16	8.0	18
B9306	HD Clamp	-	-	-	-	0.5	1

19 (x2) & 36mm
50Nm cross bar pinch bolts

Installation and application considerations should include health, safety and environmental needs, regulations and standards, codes of practice, climate conditions, installation location, product orientation, evaluation of the roof structure, composition, surface and condition, ancillary and complimentary products and materials. Big Foot Systems recommend that all rooftop products are handled and installed by suitably qualified persons. All scheme designs are based on the use of Big Foot Systems' products and materials only. Terms and conditions available on request

REV A	DATE:	08/12/2015	SCALE: 1 : 15	A3
	DRAWN:	S BIRCH		
	CHECKED:	A SIMMANS		
			DIMENSIONS IN mm U.O.S	
			TOLERANCES: 0.0 ± 0.5mm U.O.S	
			SHEET 1 OF 1	

TITLE:	HD Cube Product Information Sheet
DWG No.	BFP-HDC.dwg
THIS DRAWING IS COPYRIGHT AND THE PROPERTY OF BIG FOOT SYSTEMS LIMITED	

