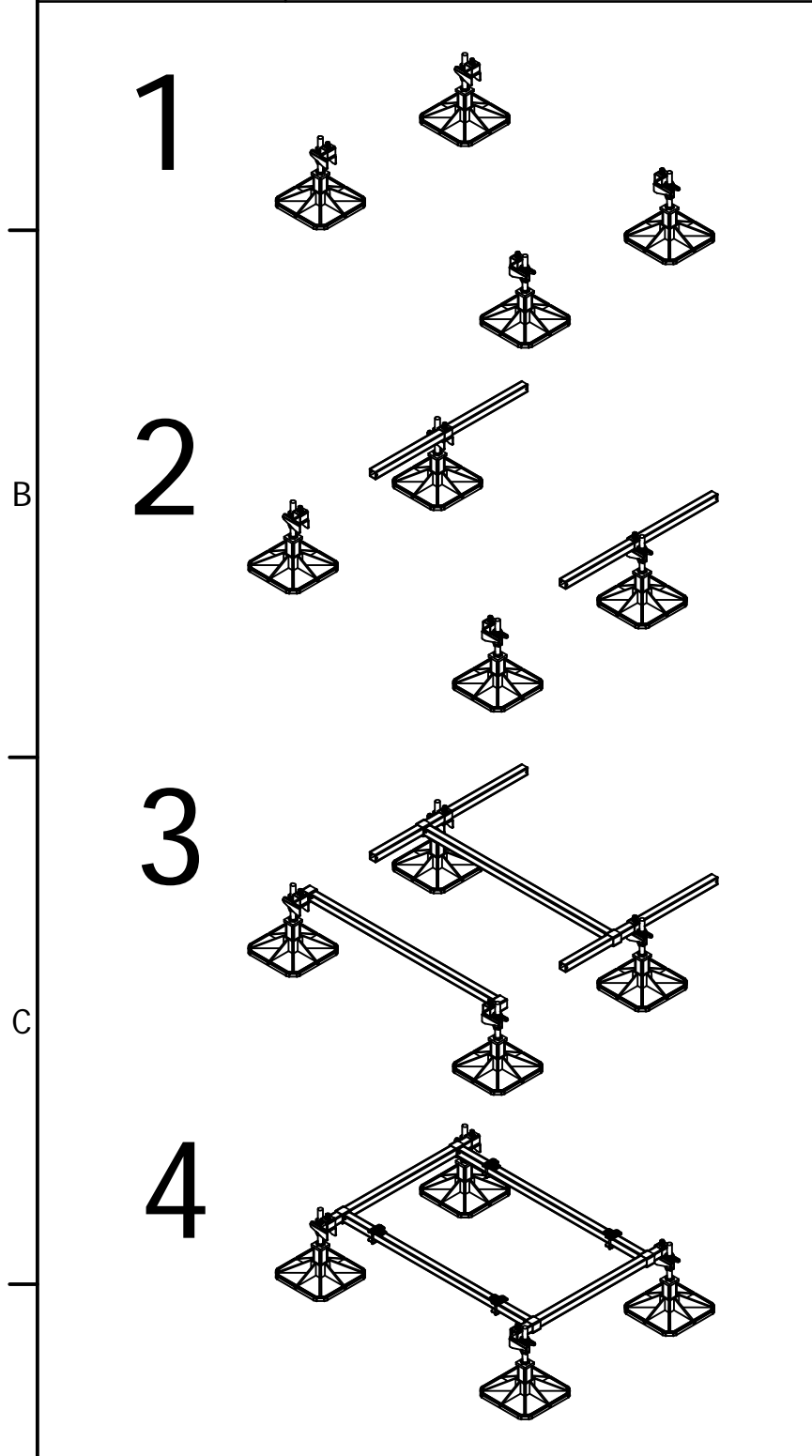


PROJECT REF:	Bespoke Frame
UNIT REF:	N/A
FOOT PRESSURE:	N/A
UDL:	N/A

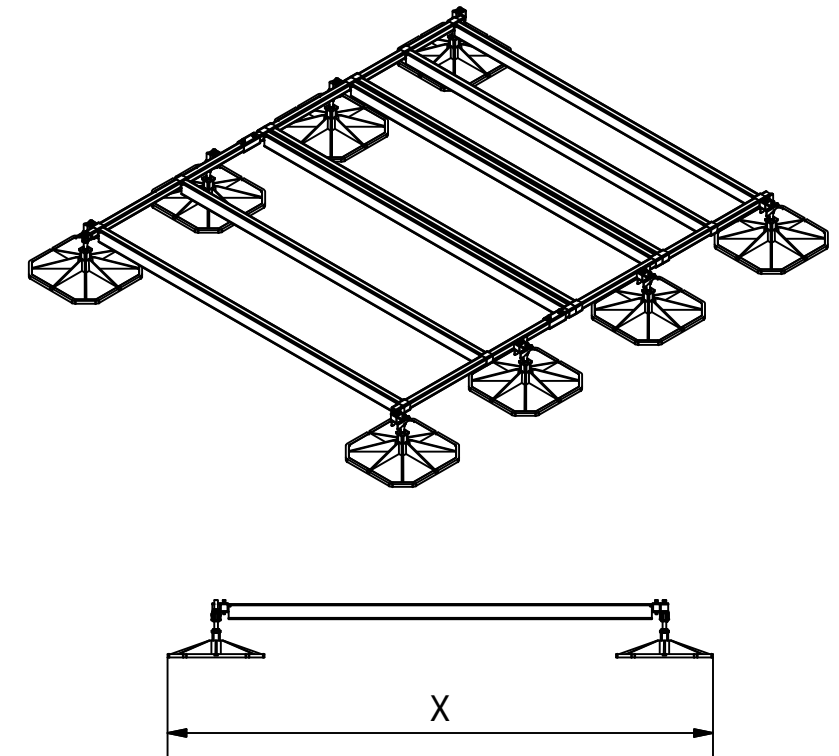
Material grade: BS EN 10219-1:2006 (S235JR). Welding standard: BS EN ISO 15614-1. Galvanizing standard: BS EN ISO 1461:2009
 Reference specification document "Custom Fabrication Specification" (BF-SPEC-050411) for further information
 Reference specification document "Big Foot Systems Cross Bar Specification (BF-SPEC-230610) for further information

Bespoke Frame																	
Cross Bar Section		40x40			50x50				100x50								
Available Cross Bar Sizes	mm	900	1200	1500	1500	1700	1900	2100	1600	1800	2000	2200	2400	2600	2800	3000	3500
	inches	35 3/7	47 1/4	59	59	67	74 4/5	82 2/3	63	70 6/7	78 3/4	86 3/5	94 1/2	102 1/3	110 1/4	118 1/9	137 4/5
X	Resultant Overall Width (305mm Feet)	mm	1376	1676	1976	2012	2212	2412	2612	2112	2312	2512	2712	2912	3112	3312	3512
		inches	54 3/16	66	77 13/16	79 3/16	87 1/16	94 15/16	102 13/16	83 1/8	91	98 7/8	106 3/4	114 5/8	122 1/2	130 3/8	138 1/4
	Resultant Overall Width (450mm Feet)	mm	1533	1833	2133	2157	2357	2557	2757	2257	2457	2657	2857	3057	3257	3457	3657
	inches	60 3/8	72 3/16	84	84 15/16	92 13/16	100 11/16	108 9/16	88 7/8	96 3/4	104 5/8	112 1/2	120 3/8	128 1/4	136 1/8	144	
	Resultant Overall Width (600mm Feet)	mm	N/A	N/A	N/A	2307	2507	2707	2907	2407	2607	2807	3007	3207	3407	3607	3807
	inches	N/A	N/A	N/A	90 13/16	98 11/16	106 9/16	114 7/16	94 3/4	102 5/8	110 1/2	118 3/8	126 1/4	134 1/8	142	149 7/8	
Design Load Per Bar	kg	400	305	220	460	400	325	260	1150	1025	930	850	775	720	670	550	
	lbs	882	672	485	1014	882	717	573	2535	2260	2050	1874	1709	1587	1477	1213	



Design load based on maximum allowable deflection on cross members when distributed across the bar. Big Foot's Technical Office is able to analyse deflection and bending stress based on specific load locations and therefore higher loads may be suitable. Allowable foot pressure will be subject to roof build-up, typically detailed by a structural engineer. Cross bar spacings are adjustable to accommodate various unit sizes.

Working conditions: Suitable for internal or external applications in temperatures between -40°C to +80°C



13, 17 & 36mm
 30Nm on clamp kits
 25Nm on cross bar &
 leg bracket bolts

Installation and application considerations should include health, safety and environmental needs, regulations and standards, codes of practice, climate conditions, installation location, product orientation, evaluation of the roof structure, composition, surface and condition, ancillary and complimentary products and materials. Big Foot Systems recommend that all rooftop products are handled and installed by suitably qualified persons. All scheme designs are based on the use of Big Foot Systems' products and materials only. Terms and conditions available on request

REV A	DATE:	14/01/2016
	DRAWN:	S BIRCH
	CHECKED:	A SIMMANS

SCALE: 1:15
 DIMENSIONS IN mm U.O.S
 TOLERANCES: 0.0 ± 0.5mm U.O.S
 SHEET 1 OF 1

A3

TITLE:
 Bespoke Frame Product Information Sheet
 DWG No.
 BFP-BSF.dwg
 THIS DRAWING IS COPYRIGHT AND THE PROPERTY OF BIG FOOT SYSTEMS LIMITED

