



BIG FOOT[®]
SYSTEMS

BIG FOOT SYSTEMS

Rooftop building services
support systems

AIR HANDLERS



+44 (0)1323 844 355



enquiry@bigfootsupport.com



www.bigfootsupport.com



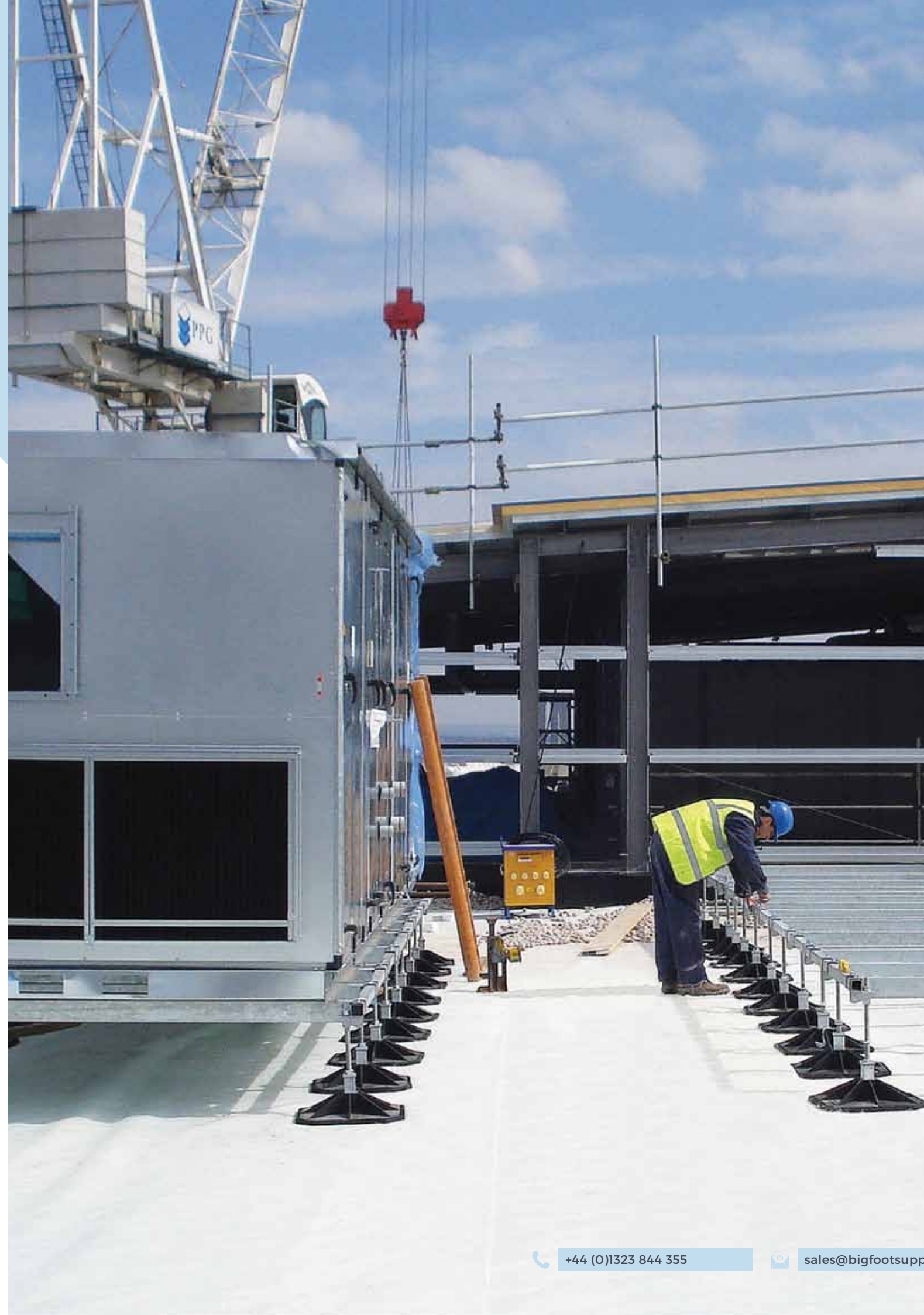
@bigfootsystems



Simply a better way

CONTENTS

- 3** **Intro**
About the Air Handler range
- 4** **The Range**
Choose the right product
- 5** **Standard Frames**
The original modular frame
- 6** **Bespoke Frames**
Designed to suit your install
- 7** **HD Beams**
Positioning loads accurately



INTRO

Big Foot Systems offers a range of free-standing support solutions to manage the load of any size Air Handling unit on a flat roof.

Designed to protect lightweight modern roofs, our product is cost and time-effective to install, innovative in design, robust and repeatable without penetrating the roof top.

THE RANGE

Our packaged standardised approach is delivered to site, with the systems requiring minimal on-site assembly and, without the need to penetrate the roof, are easily positioned.

Where the install requires, we also offer a bespoke solution which is dimensionally configurable at design stage, in footprint and height.



Standard Frame

The Standard Frames are available from stock in 1m (40"), 2m (80") and 3m (120") arrangements, for the support of small Air Handlers

FEATURES

- Adjustable leg assemblies
- 3 lengths available
- 1.2m (48") or 1.5m (60") cross bars
- Simple to assemble
- Supplied boxed with clamp kits



STANDARD FRAMES

Description	Part no.	Length		Width		Height		Weight		Max. Load	
		mm	Inches	mm	Inches	mm	Inches	Kg	Lbs	Kg	Lbs
1m x 1.2m (40" x 48")	B6075	1000	39 3/8"	1200	47 1/4"	290 - 400	11 1/8" - 15 3/4"	39	86	500	1102
2m x 1.2m (80" x 48")	B6077	2000	78 3/4"	1200	47 1/4"	290 - 400	11 1/8" - 15 3/4"	67	148	1000	2205
3m x 1.2m (120" x 48")	B6078	3000	118 1/8"	1200	47 1/4"	290 - 400	11 1/8" - 15 3/4"	97	214	1500	3307
1m x 1.5m (40" x 60")	B9442	1000	39 3/8"	1500	59 1/8"	290 - 400	11 1/8" - 15 3/4"	42	93	400	882
2m x 1.5m (80" x 60")	B9443	2000	78 3/4"	1500	59 1/8"	290 - 400	11 1/8" - 15 3/4"	72	159	800	1764
3m x 1.5m (120" x 60")	B9444	3000	118 1/8"	1500	59 1/8"	290 - 400	11 1/8" - 15 3/4"	103	227	1200	2646

KIT INCLUDES

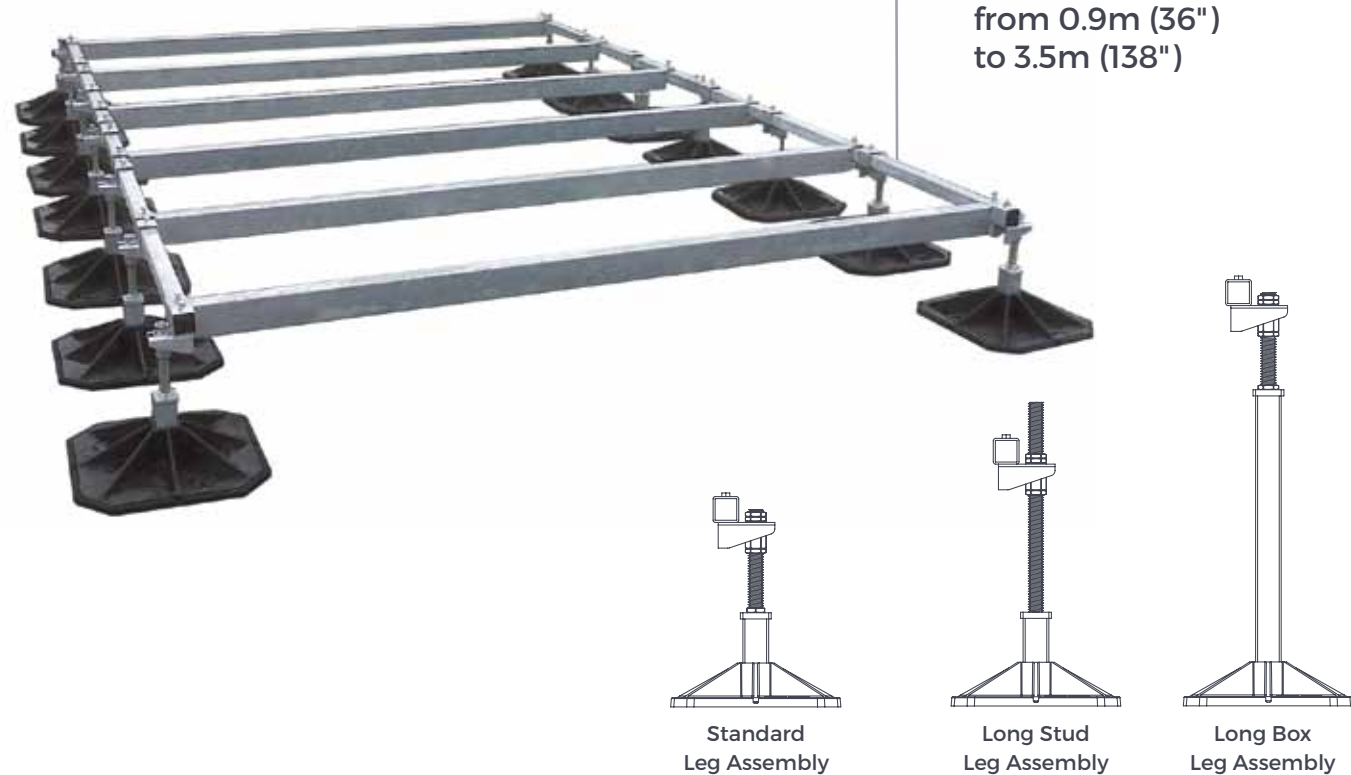
- 40mm x 40mm (1 1/8" x 1 1/8") box section end bars
- Cross bars
- 305mm (12") Leg assemblies
- Clamp kits
- Assembly instructions

Bespoke Frames

Bespoke Frames are configured in footprint and height, from our standard componentry, offering a free-standing solution to suit your specific project needs

FEATURES

- 3 Leg assembly heights
- 3 Cross bar sizes
- Frame width range from 0.9m (36") to 3.5m (138")



Standard Leg Assembly

Long Stud Leg Assembly

Long Box Leg Assembly

CROSS BAR OPTIONS

Section		Range of Sizes	
mm	Inches	mm	Inches
40 x 40	1 5/8 x 1 5/8	900 - 1500	36 - 60
50 x 50	2 x 2	1500 - 2100	60 - 83
100 x 50	4 x 2	1600 - 3500	66 - 138

LEG ASSEMBLY OPTIONS

Description	Height Adjustment	
	mm	Inches
Standard Leg Assembly	290 - 400	11 3/8 - 15 3/4
Long Stud Leg Assembly	290 - 610	11 3/8 - 24
Long Box Leg Assembly	730 - 825	28 3/4 - 32 1/2

HD Beams

The HD Beam enables the AHU to be positioned accurately, such as directly over existing structural beams, so the load can be evenly distributed

FEATURES

- Adjustable height
- Standard or Long Stud leg assemblies
- Available with 305mm (12"), 450mm (18") or 600mm (24") feet
- Supplied boxed with beam clamps



B5104 HD Mounting Plate

B9306 HD Clamp

HD BEAM

Description	Part no.	Length		Width		Height		Weight		Max. Load	
		mm	Inches	mm	Inches	mm	Inches	Kg	Lbs	Kg	Lbs
360/305 (14"/12")	B9722	1066	42	330	13	300 - 360	11 3/8 - 14 3/8	16	35	500	1102
560/305 (22"/12")	B9723	1066	42	330	13	300 - 560	11 3/8 - 22 1/8	18	40	500	1102
360/450 (14"/18")	B9423	1222	48 1/2	486	19 1/2	300 - 360	11 3/8 - 14 3/8	23	51	1000	2205
560/450 (22"/18")	B9690	1222	48 1/2	486	19 1/2	300 - 560	11 3/8 - 22 1/8	25	55	1000	2205
360/600 (14"/24")	B9373	1378	54 1/4	642	25 1/4	300 - 360	11 3/8 - 14 3/8	33	73	1500	3307
560/600 (22"/24")	B9692	1378	54 1/4	642	25 1/4	300 - 560	11 3/8 - 22 1/8	35	77	1500	3307

KIT INCLUDES

Leg assembly	× 2
Cross bar	× 1
Beam clamps	× 2
Assembly instructions	× 1



CUSTOM

For more complex applications, with the aid of Big Foot Systems highly skilled engineering team, we can design and manufacture complete one-off solutions. We are yet to encounter a scenario under which we haven't been able to design a solution. Contact our team today!



-  +44 (0)1323 844 355
-  enquiry@bigfootsupport.com
-  www.bigfootsupport.com
-  @bigfootsystems

 **Simply a better way**



Head Office: Big Foot Systems Ltd.,
Apex Way, Hailsham, East Sussex BN27 3WA, UK

DISCLAIMER: Big Foot Systems takes no responsibility for the condition of the roof on which our equipment is to be used. You must ensure that the substrate on which the Big Foot Systems is intended for use is structurally sound enough to take the weight and point loadings we have indicated.

All Big Foot Systems products must be installed in line with the guarantees and recommendations of the manufacturer of the roofing system. The manufacturer of PVC membranes should advise on the susceptibility to migration of plasticizers and specific recommendations should be adhered to so that the roof guarantee is not affected.