




**BIG FOOT**<sup>®</sup>  
SYSTEMS

# BIG FOOT SYSTEMS

Rooftop building services  
support systems

 Simply a better way

CHILLERS



+44 (0)1323 844 355



[enquiry@bigfootsupport.com](mailto:enquiry@bigfootsupport.com)



[www.bigfootsupport.com](http://www.bigfootsupport.com)



[@bigfootsystems](https://twitter.com/bigfootsystems)

# CONTENTS

- 3** **Intro**  
About the Chiller support range
- 4** **The Range**  
Choose the right product
- 5** **HD Cubes**  
Unbeatable load distribution
- 6** **HD Beams**  
Positioning loads accurately
- 7** **Bespoke Frames**  
Designed to suit your install



# INTRO

Big Foot Systems offers a range of robust and cost effective support systems designed to efficiently manage the load of large and heavy plant with ease.

Our range of solutions are innovative in design to overcome limiting factors such as weak roof construction, and will safely support a chiller, whilst also considering the imposed loads acting on the structure where it sits.



# THE RANGE

Our range provides a highly effective support solution for the unique heavy duty requirements of a chiller.

Offering unparalleled load distribution and the ability to accurately position the chiller directly over existing structural roof beams when required, our support systems offer the best solution every time.

## HD Cube

Due to the close proximity of the four feet, the HD Cube has a large square base which naturally affords excellent load distribution qualities

### FEATURES

- Available in 9 configurations
- Available with 305mm (12"), 450mm (18") or 600mm (24") feet
- Alternative to heavy complex frameworks
- Fast assembly
- Excellent load distribution
- Supplied boxed



**B5104**  
HD Mounting Plate

**B9306**  
HD Clamp

### HD CUBE

Description	Part no.	Length		Width		Height		Weight		Max. Load	
		mm	Inches	mm	Inches	mm	Inches	Kg	Lbs	Kg	Lbs
360/305	<b>B5611</b>	1066	42	979	38 1/2	350 - 410	13 3/4 - 16 1/8	39	86	1000	2205
560/305	<b>B5612</b>	1066	42	979	38 1/2	350 - 610	13 3/4 - 24	42	93	1000	2205
800/305	<b>B5613</b>	1066	42	979	38 1/2	800 - 860	31 1/2 - 33 3/4	48	106	1000	2205
360/450	<b>B5614</b>	1222	48 1/2	1135	44 3/4	350 - 410	13 3/4 - 16 1/8	52	115	2000	4409
560/450	<b>B5615</b>	1222	48 1/2	1135	44 3/4	350 - 610	13 3/4 - 24	56	123	2000	4409
800/450	<b>B5616</b>	1222	48 1/2	1135	44 3/4	800 - 860	31 1/2 - 33 3/4	64	141	2000	4409
360/600	<b>B5617</b>	1378	54 1/4	1291	50 3/4	350 - 410	13 3/4 - 16 1/8	74	163	3000	6614
560/600	<b>B5618</b>	1378	54 1/4	1291	50 3/4	350 - 610	13 3/4 - 24	76	168	3000	6614
800/600	<b>B5619</b>	1378	54 1/4	1291	50 3/4	800 - 860	31 1/2 - 33 3/4	83	183	3000	6614

### KIT INCLUDES

Adjustable leg	× 4
Cube end bar	× 2
Cube cross bar	× 1
Assembly instructions	× 1





# HD Beam

The HD Beam enables the heavy plant to be positioned accurately, such as directly over existing structural beams, so the load can be evenly distributed

### FEATURES

- Adjustable height
- Standard or Long Stud leg assemblies
- Available with 305mm (12"), 450mm (18") or 600mm (24") feet
- Supplied boxed with beam clamps



**B5104**  
HD Mounting Plate

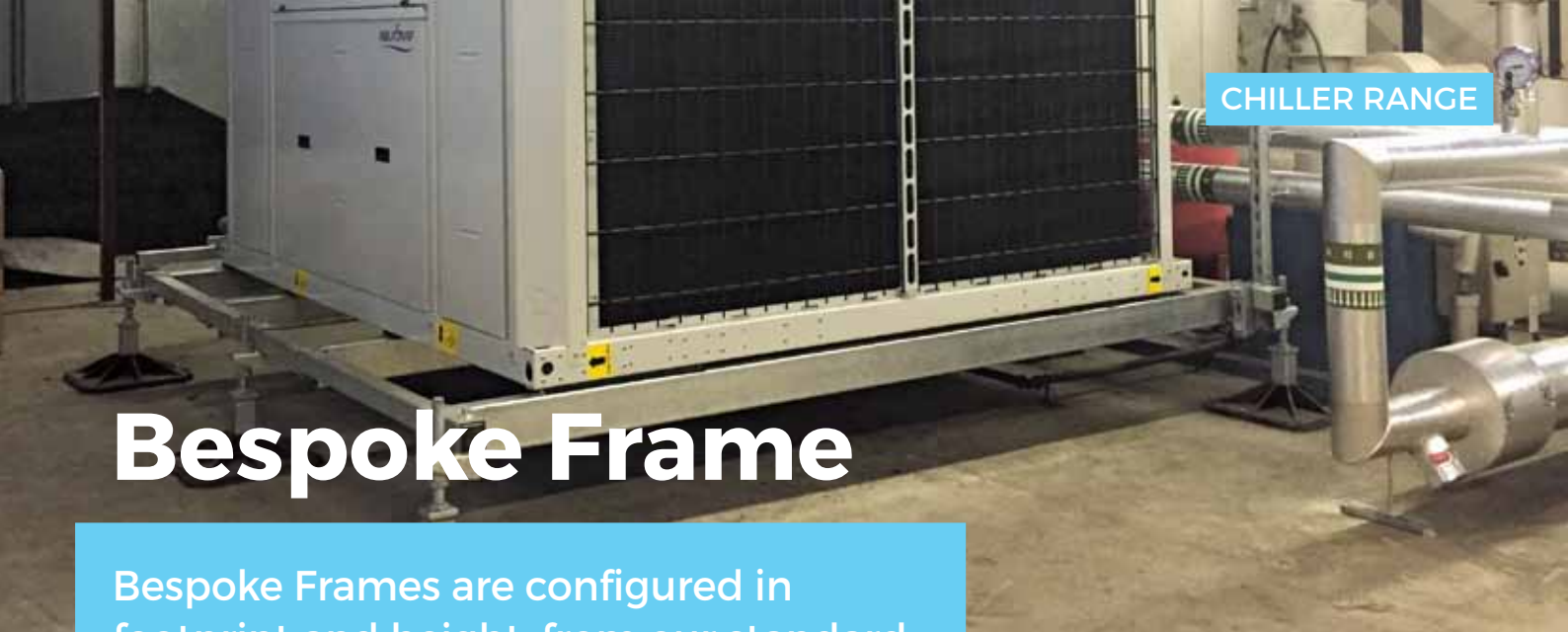
**B9306**  
HD Clamp

### HD BEAM

Description	Part no.	Length		Width		Height		Weight		Max. Load	
		mm	Inches	mm	Inches	mm	Inches	Kg	Lbs	Kg	Lbs
360/305 (14"/12")	<b>B9722</b>	1066	42	330	13	300 - 360	11 1/8 - 14 3/8	16	35	500	1102
560/305 (22"/12")	<b>B9723</b>	1066	42	330	13	300 - 560	11 1/8 - 22 1/8	18	40	500	1102
360/450 (14"/18")	<b>B9423</b>	1222	48 1/2	486	19 1/2	300 - 360	11 1/8 - 14 3/8	23	51	1000	2205
560/450 (22"/18")	<b>B9690</b>	1222	48 1/2	486	19 1/2	300 - 560	11 1/8 - 22 1/8	25	55	1000	2205
360/600 (14"/24")	<b>B9373</b>	1378	54 1/4	642	25 1/4	300 - 360	11 1/8 - 14 3/8	33	73	1500	3307
560/600 (22"/24")	<b>B9692</b>	1378	54 1/4	642	25 1/4	300 - 560	11 1/8 - 22 1/8	35	77	1500	3307

### KIT INCLUDES

Leg assembly	× 2
Cross bar	× 1
Beam clamps	× 2
Assembly instructions	× 1

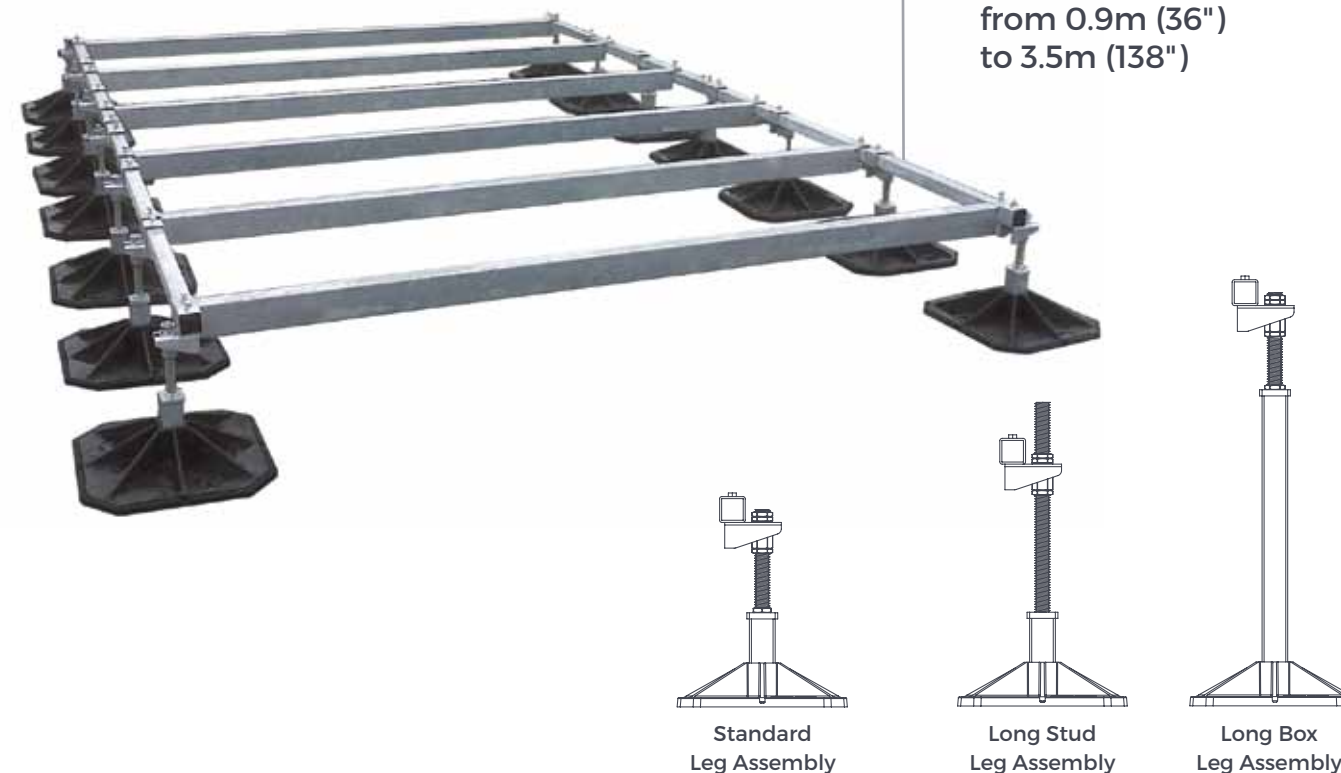


# Bespoke Frame

Bespoke Frames are configured in footprint and height, from our standard componentry, offering a free-standing solution to suit your specific project needs

### FEATURES

- 3 Leg assembly heights
- 3 Cross bar sizes
- Frame width range from 0.9m (36") to 3.5m (138")



Standard Leg Assembly

Long Stud Leg Assembly

Long Box Leg Assembly

### CROSS BAR OPTIONS

Section		Range of Sizes	
mm	Inches	mm	Inches
40 x 40	1 5/8 x 1 5/8	900 - 1500	36 - 60
50 x 50	2 x 2	1500 - 2100	60 - 83
100 x 50	4 x 2	1600 - 3500	66 - 138

### LEG ASSEMBLY OPTIONS

Description	Height Adjustment	
	mm	Inches
Standard Leg Assembly	290 - 400	11 3/8 - 15 3/4
Long Stud Leg Assembly	290 - 610	11 3/8 - 24
Long Box Leg Assembly	730 - 825	28 3/4 - 32 1/2




# CUSTOM

For more complex applications, with the aid of Big Foot Systems highly skilled engineering team, we can design and manufacture complete one-off solutions. We are yet to encounter a scenario under which we haven't been able to design a solution. Contact our team today!



-  +44 (0)1323 844 355
-  enquiry@bigfootsupport.com
-  www.bigfootsupport.com
-  @bigfootsystems

 Simply a better way



Head Office: Big Foot Systems Ltd.,  
Apex Way, Hailsham, East Sussex BN27 3WA, UK

DISCLAIMER: Big Foot Systems takes no responsibility for the condition of the roof on which our equipment is to be used. You must ensure that the substrate on which the Big Foot Systems is intended for use is structurally sound enough to take the weight and point loadings we have indicated.

All Big Foot Systems products must be installed in line with the guarantees and recommendations of the manufacturer of the roofing system. The manufacturer of PVC membranes should advise on the susceptibility to migration of plasticizers and specific recommendations should be adhered to so that the roof guarantee is not affected.