

PROJECT REF:	Custom Safe Access
UNIT REF:	N/A
FOOT PRESSURE:	N/A
UDL:	N/A

Material grade: BS EN 10219-1:2006 (S235JR). Welding standard: BS EN ISO 15614-1. Galvanizing standard: BS EN ISO 1461:2009
 Reference specification document "Custom Fabrication Specification" (BF-SPEC-050411) for further information
 Reference specification document "Big Foot Systems Cross Bar Specification (BF-SPEC-230610) for further information

A

A

B

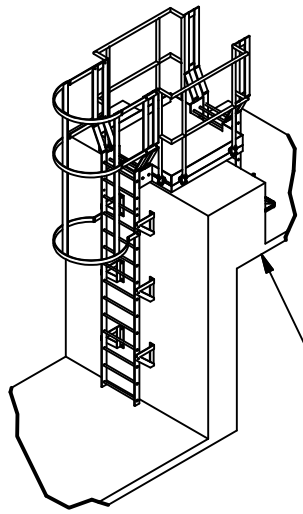
B

C

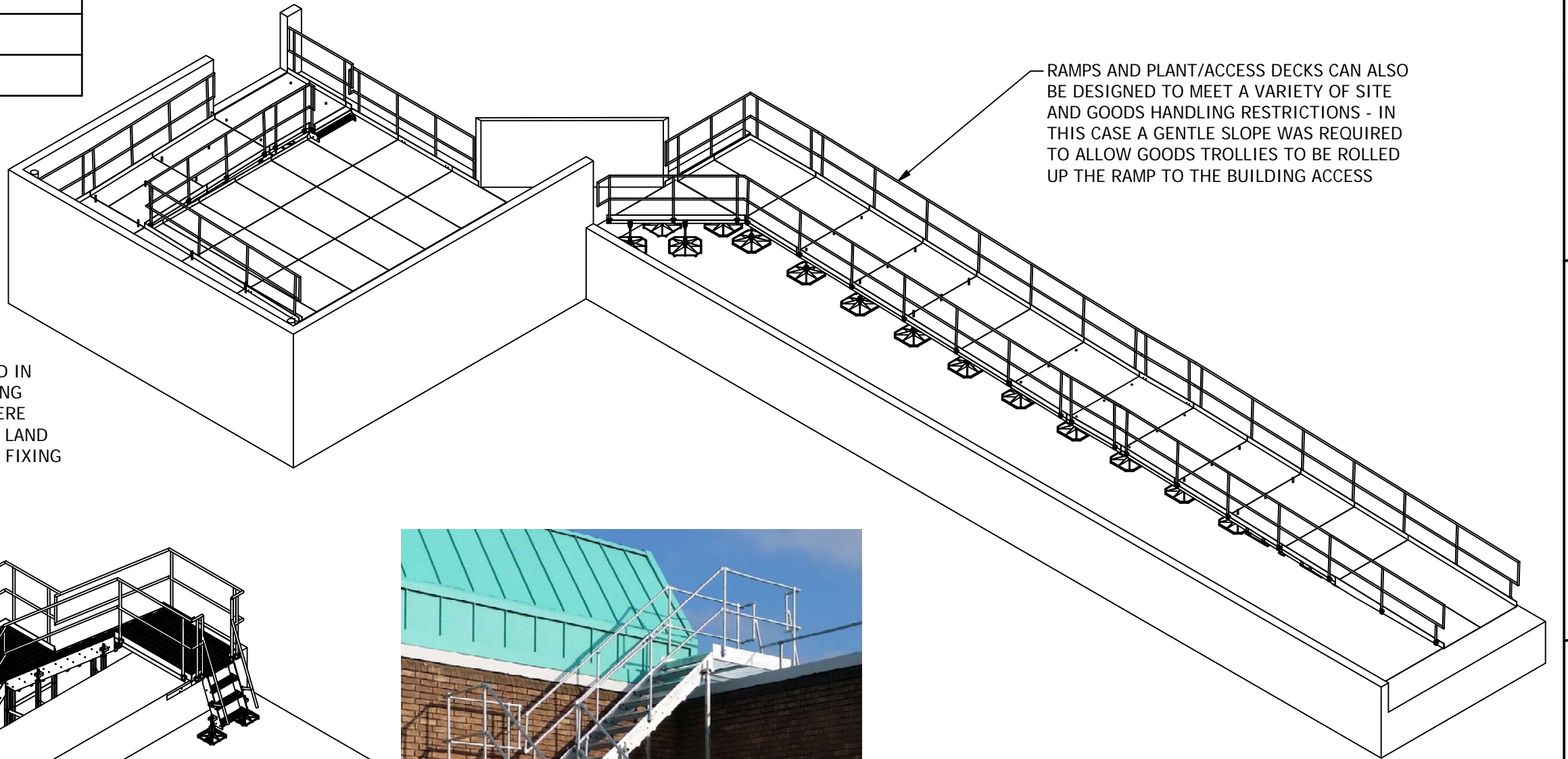
C

D

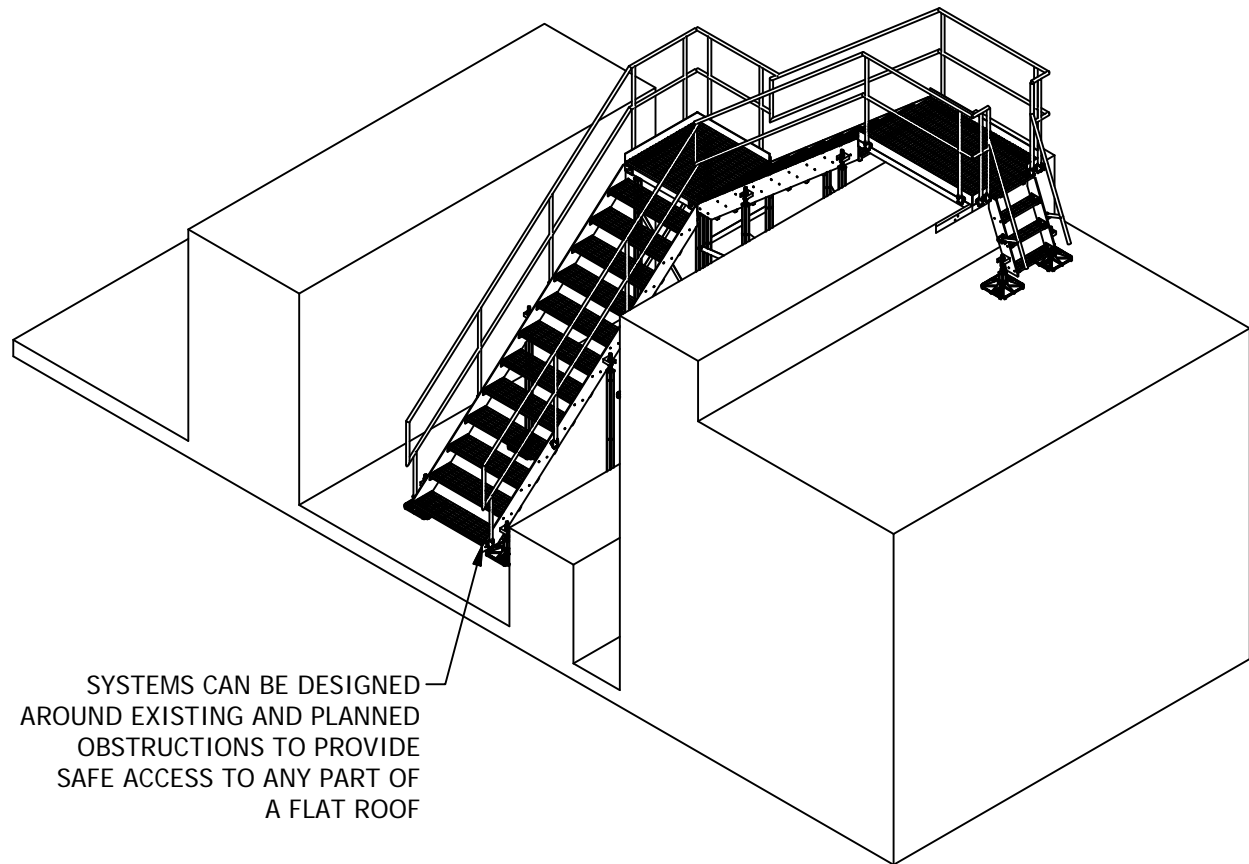
D



SYSTEMS CAN BE DESIGNED IN ACCORDANCE WITH ROOFING REQUIREMENTS, EVEN WHERE FEET MAY NOT BE ABLE TO LAND ON THE ROOF. THEREFORE FIXING BACK MAY BE REQUIRED



RAMPS AND PLANT/ACCESS DECKS CAN ALSO BE DESIGNED TO MEET A VARIETY OF SITE AND GOODS HANDLING RESTRICTIONS - IN THIS CASE A GENTLE SLOPE WAS REQUIRED TO ALLOW GOODS TROLLIES TO BE ROLLED UP THE RAMP TO THE BUILDING ACCESS



SYSTEMS CAN BE DESIGNED AROUND EXISTING AND PLANNED OBSTRUCTIONS TO PROVIDE SAFE ACCESS TO ANY PART OF A FLAT ROOF



Material Specification				
Part/Description	Material	Regulation Conformance	Density	
			kg/m3	lbs/ft3
Foot	Nylon GF-30%		1140	71
Mat	Rubber	BS7188:1989	650-1020	41-64
Metalwork	Galvanised Steel ASTM-A36	BS EN ISO1461:1999	7800	487

System designed to suit unit requirements and site layout. Allowable foot pressure will be subject to roof build up, typically detailed by a structural engineer.

Working conditions: Suitable for internal or external applications in temperatures between -40°C to +80°C

13, 17, 19 & 36mm
Typical sizes



Installation and application considerations should include health, safety and environmental needs, regulations and standards, codes of practice, climate conditions, installation location, product orientation, evaluation of the roof structure, composition, surface and condition, ancillary and complimentary products and materials. Big Foot Systems recommend that all rooftop products are handled and installed by suitably qualified persons. All scheme designs are based on the use of Big Foot Systems' products and materials only. Terms and conditions available on request

REV A	DATE:	10/05/2016
	DRAWN:	S BIRCH
	CHECKED:	A SIMMANS

SCALE:	1:20
DIMENSIONS IN	mm U.O.S
TOLERANCES:	0.0 ± 0.5mm U.O.S
SHEET	1 OF 1

A3

TITLE:
CUSTOM SAFE ACCESS PRODUCT INFORMATION SHEET

DWG No.
BFP-CSA.dwg

THIS DRAWING IS COPYRIGHT AND THE PROPERTY OF BIG FOOT SYSTEMS LIMITED

