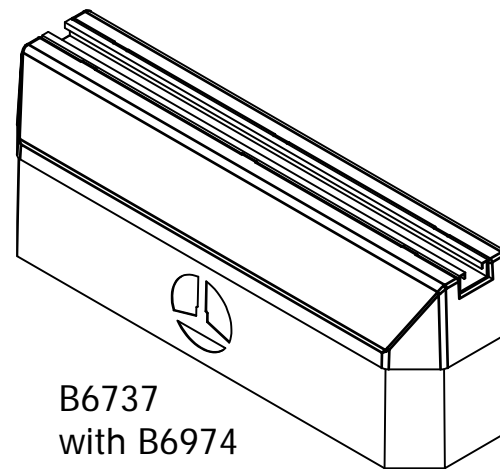
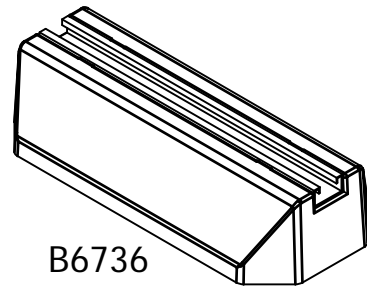
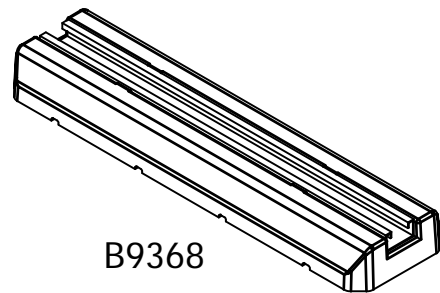
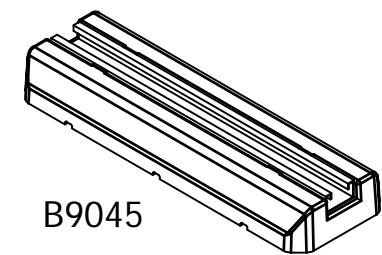
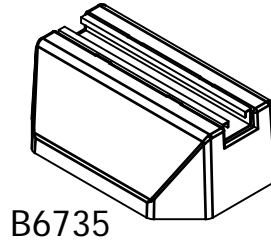
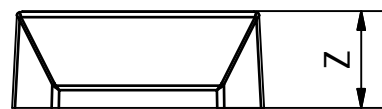
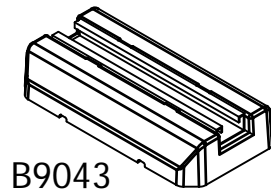
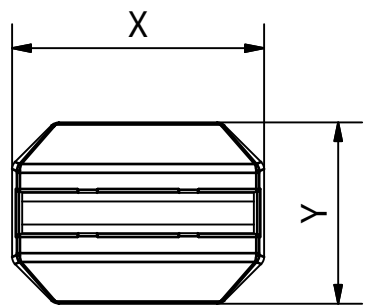


| | |
|----------------|-------------|
| PROJECT REF: | Fix-it Foot |
| UNIT REF: | N/A |
| FOOT PRESSURE: | N/A |
| UDL: | N/A |

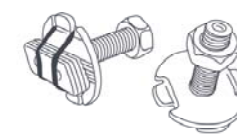
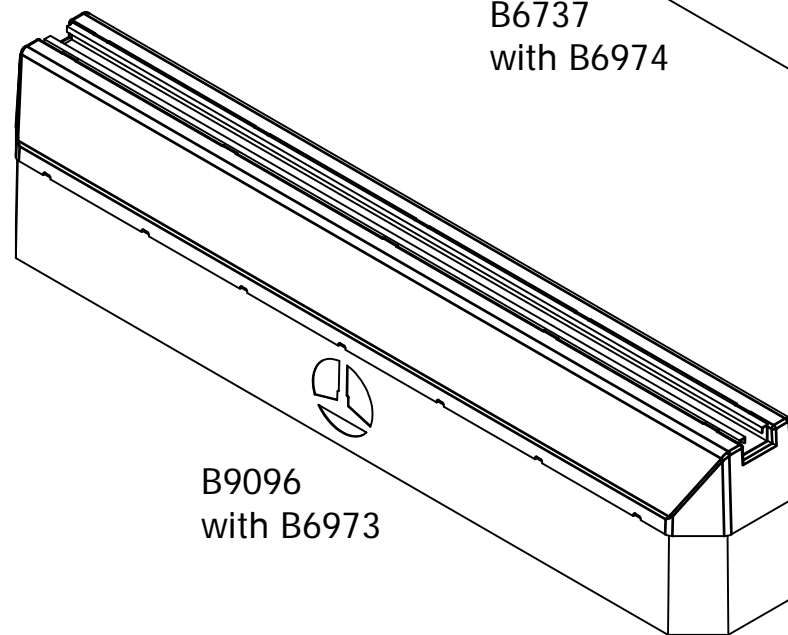
Material grade: BS EN 10219-1:2006 (S235JR). Welding standard: BS EN ISO 15614-1. Galvanizing standard: BS EN ISO 1461:2009
 Reference specification document "Custom Fabrication Specification" (BF-SPEC-050411) for further information
 Reference specification document "Big Foot Systems Cross Bar Specification (BF-SPEC-230610) for further information

| Fix-it Foot | | | | | | | | | | | |
|-------------|----------------|-----------------|-----------------|-----------------|------------------|---------------------|---------------------|---------------------|---------------|----------------|--------|
| Part No. | | B6735 | B6736 | B6737 | B9096 | B9043 | B9045 | B9368 | B6974 | B6973 | |
| Description | | Fix-it Foot 250 | Fix-it Foot 400 | Fix-it Foot 600 | Fix-it Foot 1000 | Fix-it Foot Low 250 | Fix-it Foot Low 400 | Fix-it Foot Low 500 | High Bloc 600 | High Bloc 1000 | |
| X | Overall Length | mm | 250 | 400 | 600 | 1000 | 250 | 400 | 500 | 600 | 1000 |
| | | inches | 9 13/16 | 15 3/4 | 23 5/8 | 39 3/8 | 9 13/16 | 15 3/4 | 19 11/16 | 23 5/8 | 39 3/8 |
| Y | Overall Width | mm | 180 | 180 | 180 | 180 | 130 | 130 | 130 | 180 | 180 |
| | | inches | 7 1/16 | 7 1/16 | 7 1/16 | 7 1/16 | 5 1/8 | 5 1/8 | 5 1/8 | 7 1/16 | 7 1/16 |
| Z | Height | mm | 95 | 95 | 95 | 95 | 50 | 50 | 50 | 120 | 120 |
| | | inches | 3 3/4 | 3 3/4 | 3 3/4 | 3 3/4 | 1 15/16 | 1 15/16 | 1 15/16 | 4 3/4 | 4 3/4 |
| Weight | | kg | 2.4 | 3.5 | 5.8 | 9.9 | 1.3 | 2.1 | 2.5 | 10.2 | 17.7 |
| | | lbs | 5.3 | 7.8 | 12.7 | 21.9 | 2.9 | 4.5 | 5.4 | 22.4 | 38.9 |
| Design Load | | kg | 82 | 128 | 224 | 295 | 82 | 128 | 134 | 224 | 295 |
| | | lbs | 181 | 282 | 494 | 650 | 181 | 282 | 295 | 494 | 650 |



| Mini Split Kit (Includes 2 Fix-it Feet & Fast Fix Bolts) | | |
|---|-------|-------|
| Part No. | B9284 | B9530 |
| Size | 600 | 1000 |

Working conditions: Suitable for internal or external applications in temperatures between -40°C to +80°C



B9171
Fast Fix Fixing Bolt (M10)



| Material Specification | | | | |
|------------------------|-----------|------------------------|----------|---------|
| Part/Description | Material | Regulation Conformance | Density | |
| | | | kg/m3 | lbs/ft3 |
| Fix-it Foot | Rubber | BS7188:1989 | 650-1020 | 41-64 |
| | Aluminium | - | 2700 | 169 |

Installation and application considerations should include health, safety and environmental needs, regulations and standards, codes of practice, climate conditions, installation location, product orientation, evaluation of the roof structure, composition, surface and condition, ancillary and complimentary products and materials. Big Foot Systems recommend that all rooftop products are handled and installed by suitably qualified persons. All scheme designs are based on the use of Big Foot Systems' products and materials only. Terms and conditions available on request

| | | |
|----------|----------|------------|
| REV B | DATE: | 20/10/2016 |
| | DRAWN: | A SIMMANS |
| | CHECKED: | S BIRCH |

SCALE: 1:20
 DIMENSIONS IN mm U.O.S
 TOLERANCES: 0.0 ± 0.5mm U.O.S
 SHEET 1 OF 1

A3

TITLE:
Fix-it Foot Product Information Sheet
 DWG No.
BFP-FIF.dwg

THIS DRAWING IS COPYRIGHT AND THE PROPERTY OF BIG FOOT SYSTEMS LIMITED

