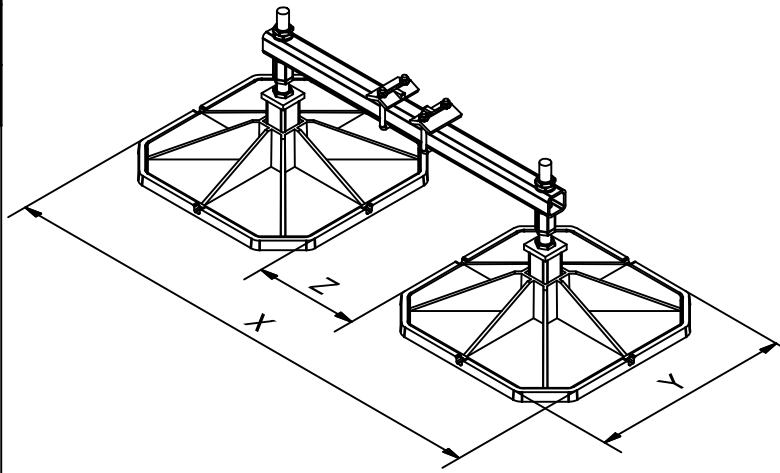


PROJECT REF:	HD Beam
UNIT REF:	N/A
FOOT PRESSURE:	N/A
UDL:	N/A

Material grade: BS EN 10219-1:2006 (S235JR). Welding standard: BS EN ISO 15614-1. Galvanizing standard: BS EN ISO 1461:2009
 Reference specification document "Custom Fabrication Specification" (BF-SPEC-050411) for further information
 Reference specification document "Big Foot Systems Cross Bar Specification (BF-SPEC-230610) for further information



USEABLE SPACE INCLUDING CLAMPS: 578mm
 USEABLE SPACE EXCLUDING CLAMPS: 696mm

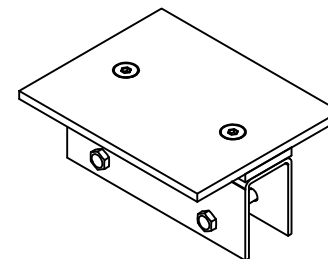


Adjustable HD Beam								
Part Number			B9722	B9723	B9423	B9690	B9373	B9692
Description (Height/Foot Size)			360/305	560/305	360/450	560/450	360/600	560/600
X	Overall Length	mm	1066	1066	1222	1222	1378	1378
		inches	42	42	48 1/8	48 1/8	54 1/4	54 1/4
Y	Overall Width	mm	330	330	486	486	642	642
		inches	13	13	19 1/8	19 1/8	25 1/4	25 1/4
Z	Distance Between Feet	mm	406	406	250	250	94	94
		inches	16	16	9 13/16	9 13/16	3 11/16	3 11/16
Height	Min	mm	300	300	300	300	300	300
		inches	11 13/16	11 13/16	11 13/16	11 13/16	11 13/16	11 13/16
	Max	mm	360	560	360	560	360	560
		inches	14 3/16	22 1/16	14 3/16	22 1/16	14 3/16	22 1/16
Frame Weight	kg	16	18	23	25	33	35	
	lbs	35	40	51	55	73	77	
Design Load	kg	500	500	1000	1000	1500	1500	
	lbs	1102	1102	2205	2205	3307	3307	

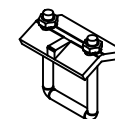
Design load based on maximum allowable deflection on cross members. Allowable foot pressure will be subject to roof build-up, typically detailed by a structural engineer.

Working conditions: Suitable for internal or external applications in temperatures between -40°C to +80°C

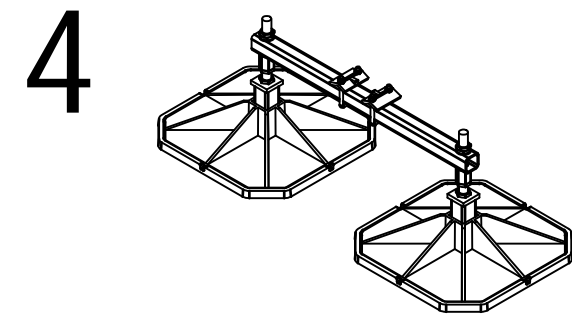
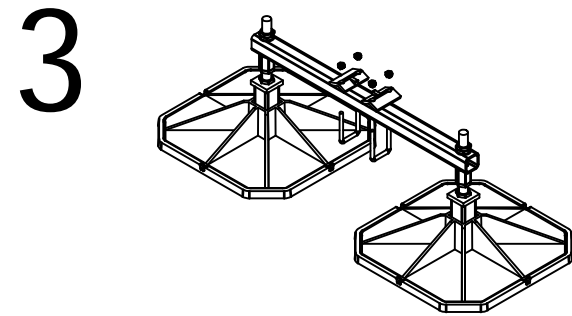
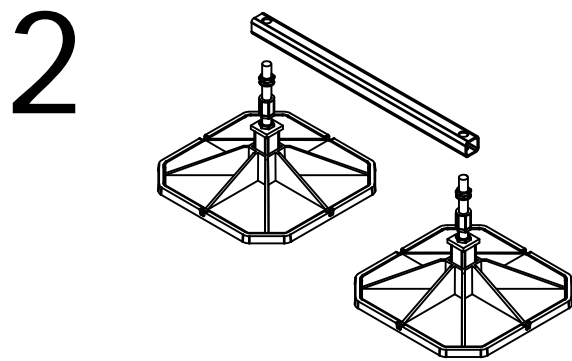
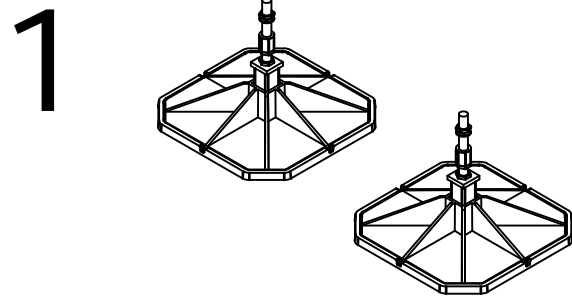
B5104



B9306



HD Beam Ancillaries							
Part No.	Description	Length		Width		Weight	
		mm	inches	mm	inches	kg	lbs
B5104	HD Mounting Plate	250	9 13/16	100	3 15/16	8.0	18
B9306	HD Clamp	-	-	-	-	0.5	1



17 & 36mm
 35Nm on clamp kits

Installation and application considerations should include health, safety and environmental needs, regulations and standards, codes of practice, climate conditions, installation location, product orientation, evaluation of the roof structure, composition, surface and condition, ancillary and complimentary products and materials. Big Foot Systems recommend that all rooftop products are handled and installed by suitably qualified persons. All scheme designs are based on the use of Big Foot Systems' products and materials only. Terms and conditions available on request

REV B	DATE:	19/10/2016
	DRAWN:	A SIMMANS
	CHECKED:	S BIRCH

SCALE: 1:15
 DIMENSIONS IN mm U.O.S
 TOLERANCES: 0.0 ± 0.5mm U.O.S
 SHEET 1 OF 1

A3

TITLE:
 HD Beam Product Information Sheet

DWG No.
 BFP-HDB.dwg

THIS DRAWING IS COPYRIGHT AND
 THE PROPERTY OF BIG FOOT SYSTEMS LIMITED

