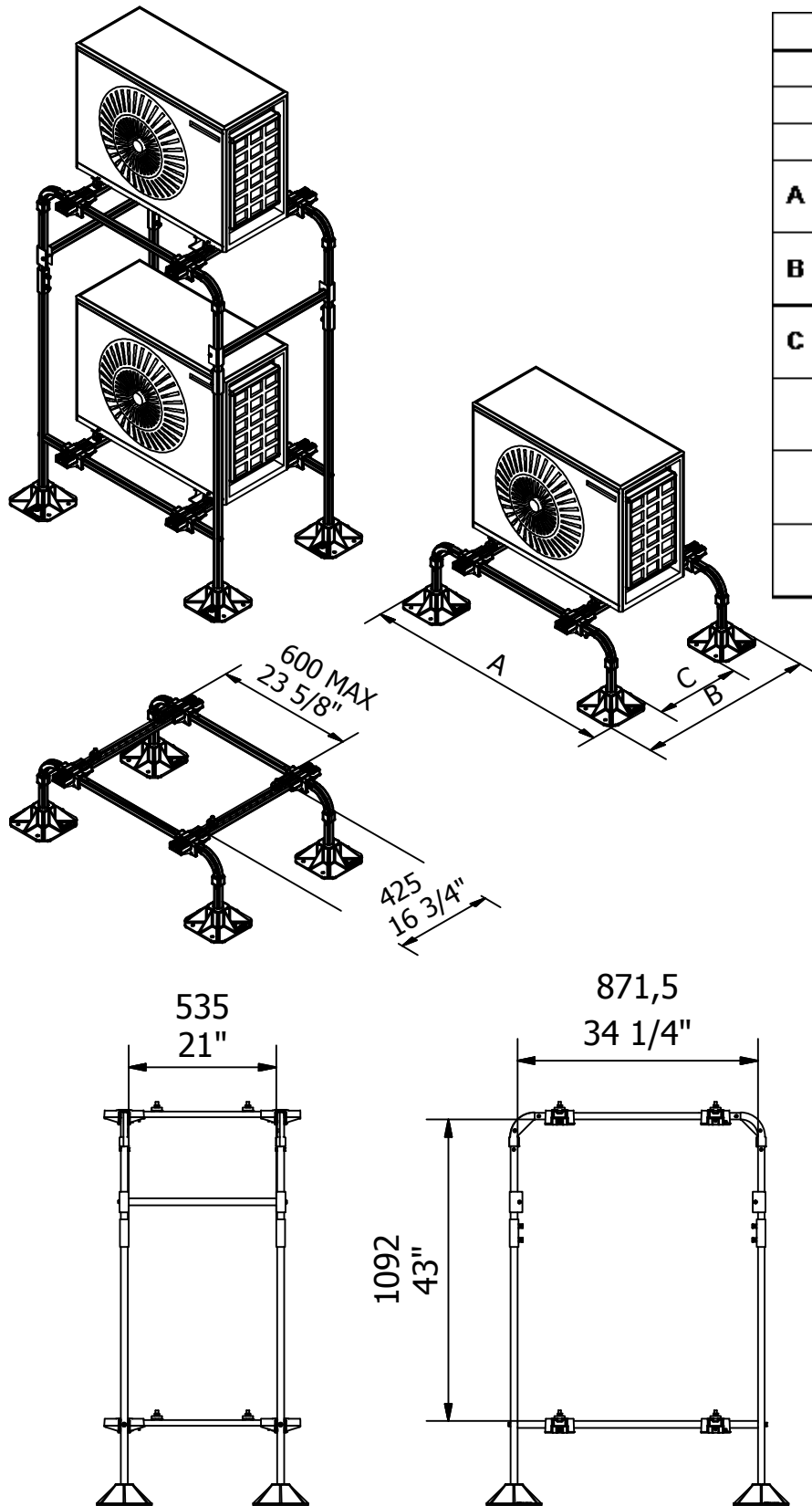
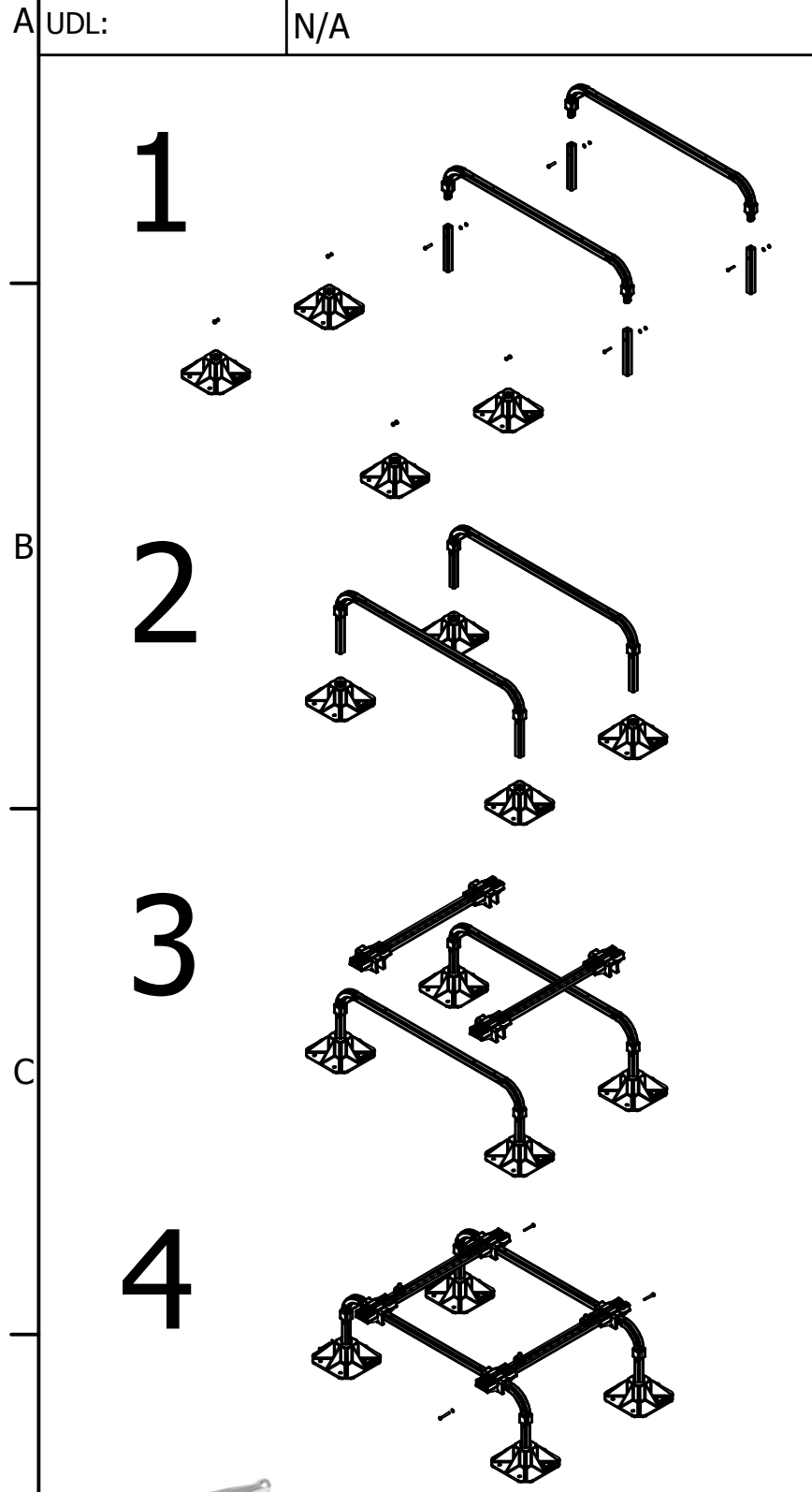


PROJECT REF:	LOCK 'n' LOAD
UNIT REF:	N/A
FOOT PRESSURE:	N/A
UDL:	N/A

Material grade: BS EN 10219-1:2006 (S235JR). Welding standard: BS EN ISO 15614-1. Galvanizing standard: BS EN ISO 1461:2009
Reference specification document "Custom Fabrication Specification" (BF-SPEC-050411) for further information

Lock 'n' Load								
Part Number		B5623	B5625	B5627	B5624	B5626	B5628	B5629
Description		Low	Medium	High	Low Ext	Med Ext	High Ext	Tower
Number of Feet		4	4	4	2	2	2	4
A Overall Length	mm	1096	1096	1096	1096	1096	1096	1096
	inches	43 2/16	43 2/16	43 2/16	43 2/16	43 2/16	43 2/16	43 2/16
B Overall Width	mm	767	767	767	820	820	820	767
	inches	30 3/16	30 3/16	30 3/16	32 5/16	32 5/16	32 5/16	30 3/16
C Distance Between Feet	mm	367	367	367	620	620	620	367
	inches	14 7/16	14 7/16	14 7/16	24 7/16	24 7/16	24 7/16	14 7/16
Height	mm	305	450	600	305	450	600	305/1426
	inches	12	18	24	12	18	24	12/56
Frame Weight	kg	9.9	13.5	14.4	7.5	11.0	11.5	26.2
	lbs	22	30	32	17	24	25	58
Design Load	kg	150	150	150	150	150	150	150/150
	lbs	331	331	331	331	331	331	331/331



Design load based on maximum allowable deflection on cross members. Allowable foot pressure will be subject to roof build-up, typically detailed by a structural engineer. Cross bar spacings are adjustable to accommodate various unit sizes. Wind protected environments only.

Working conditions: Suitable for internal or external applications in temperatures between -40°C to +80°C



13 (x2) & 17mm
25Nm on leg bolts
15Nm on cross bar bolts
10Nm on unit mounting bolts

Installation and application considerations should include health, safety and environmental needs, regulations and standards, codes of practice, climate conditions, installation location, product orientation, evaluation of the roof structure, composition, surface and condition, ancillary and complimentary products and materials. Big Foot Systems recommend that all rooftop products are handled and installed by suitably qualified persons. All scheme designs are based on the use of Big Foot Systems' products and materials only. Terms and conditions available on request

REV A	DATE:	07/12/2015	SCALE: 1 : 15
	DRAWN:	S BIRCH	
	CHECKED:	A SIMMANS	
		DIMENSIONS IN mm U.O.S	
		TOLERANCES: 0.0 ± 0.5mm U.O.S	
		SHEET 1 OF 1	

A3

TITLE:	Lock 'n' Load Product Information Sheet
DWG No.	BFP-LnL.dwg
THIS DRAWING IS COPYRIGHT AND THE PROPERTY OF BIG FOOT SYSTEMS LIMITED	

