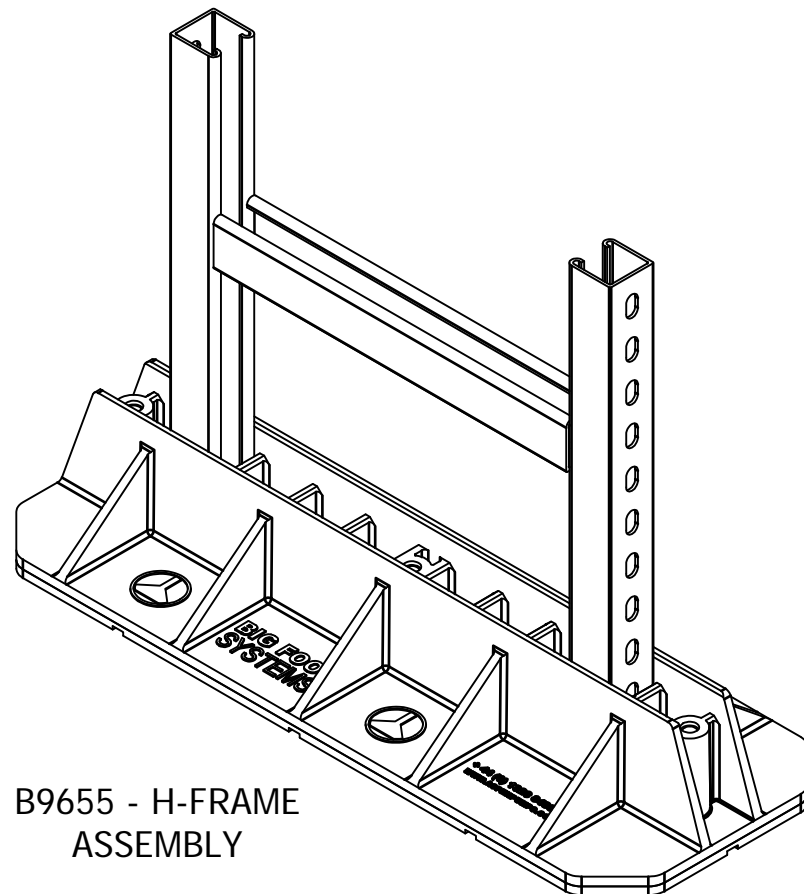
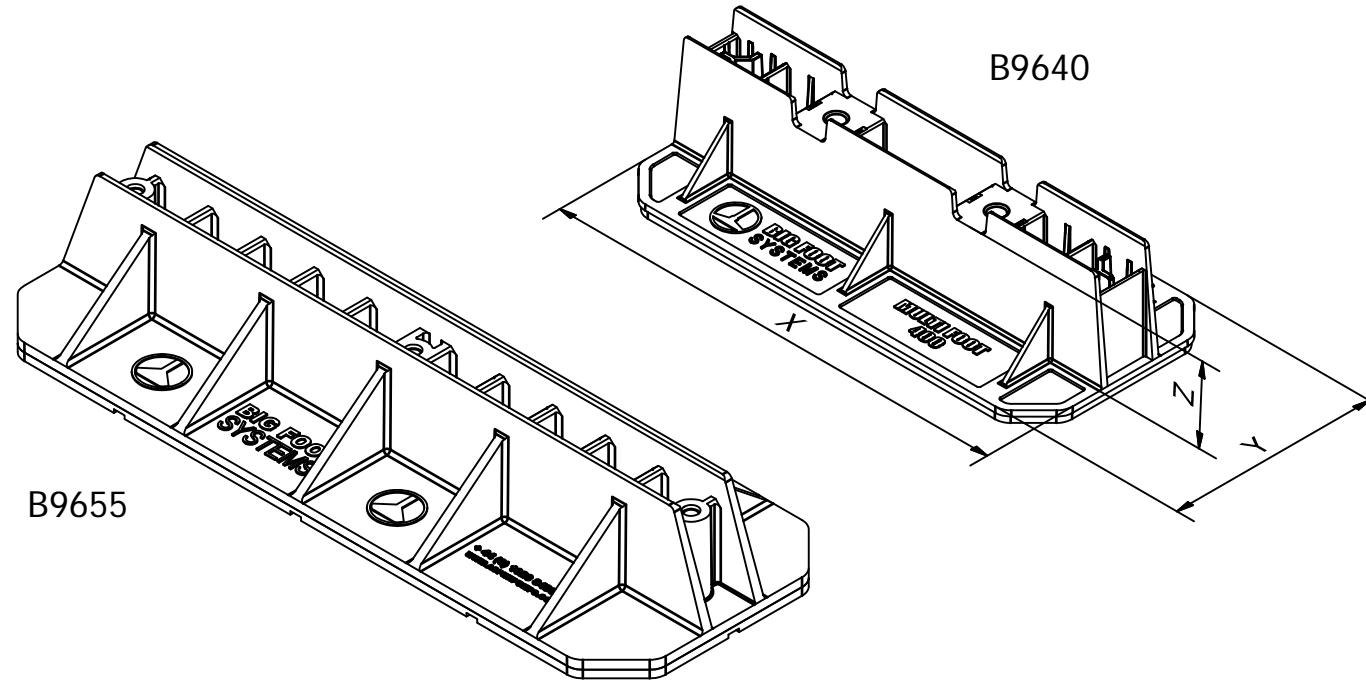


PROJECT REF:	Multi Foot
UNIT REF:	N/A
FOOT PRESSURE:	N/A
UDL:	N/A

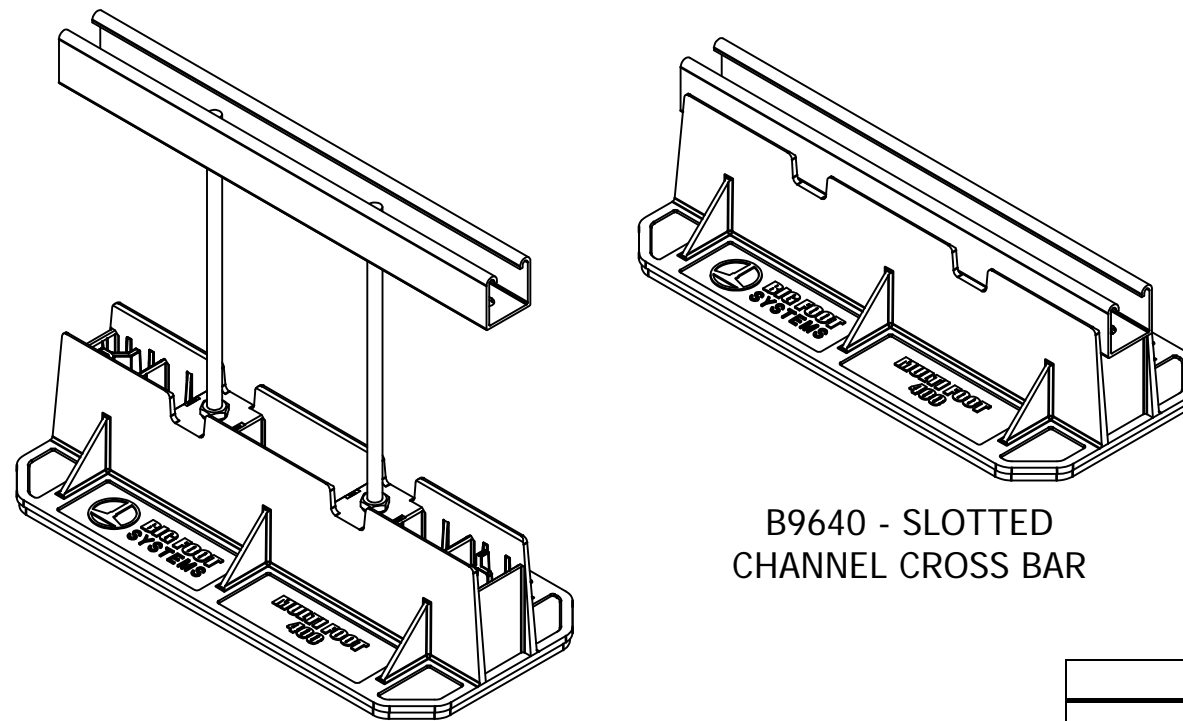
Material grade: BS EN 10219-1:2006 (S235JR). Welding standard: BS EN ISO 15614-1. Galvanizing standard: BS EN ISO 1461:2009
 Reference specification document "Custom Fabrication Specification" (BF-SPEC-050411) for further information
 Reference specification document "Big Foot Systems Cross Bar Specification (BF-SPEC-230610) for further information

Multi Foot & Extension Kit				
Part Number		B9640	B9655	
Description		Multi Foot 400	Multi Foot 600	
No. of feet		4 Pack	3 Pack	
X	Overall Length	mm	400	600
		inches	15 3/4	23 5/8
Y	Overall Width	mm	180	220
		inches	7 1/16	8 11/16
Z	Height	mm	80	80
		inches	3 1/8	3 1/8
Weight	kg	6.0	11.7	
	lbs	13.2	25.7	
Design Load	kg	259	474	
	lbs	571	1045	

Working conditions: Suitable for internal or external applications in temperatures between -40°C to +80°C



B9655 - H-FRAME ASSEMBLY



B9640 - THREADED ROD ASSEMBLY

B9640 - SLOTTED CHANNEL CROSS BAR



Material Specification				
Part/Description	Material	Regulation Conformance	Density	
			kg/m3	lbs/ft3
Foot	Nylon GF-30%		1140	71
Mat	Rubber	BS7188:1989	650-1020	41-64

STRUT, THREADED ROD & FIXINGS NOT INCLUDED

Installation and application considerations should include health, safety and environmental needs, regulations and standards, codes of practice, climate conditions, installation location, product orientation, evaluation of the roof structure, composition, surface and condition, ancillary and complimentary products and materials. Big Foot Systems recommend that all rooftop products are handled and installed by suitably qualified persons. All scheme designs are based on the use of Big Foot Systems' products and materials only. Terms and conditions available on request

REV A	DATE:	11/05/2016
	DRAWN:	S BIRCH
	CHECKED:	A SIMMANS

SCALE: 1 : 5
 DIMENSIONS IN mm U.O.S
 TOLERANCES: 0.0 ± 0.5mm U.O.S
 SHEET 1 OF 1

A3

TITLE:
Multi Foot Product Information Sheet
 DWG No.
BFP-MFO.dwg

THIS DRAWING IS COPYRIGHT AND THE PROPERTY OF BIG FOOT SYSTEMS LIMITED

