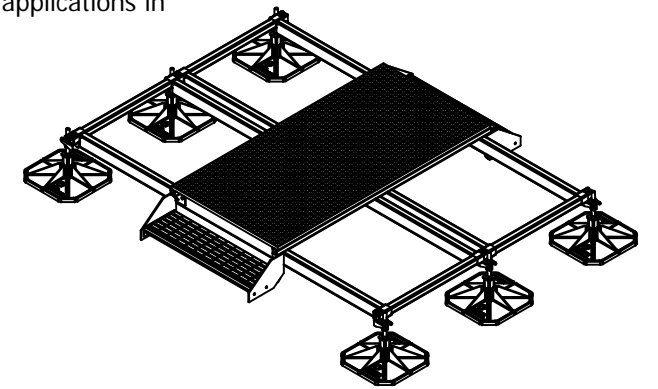
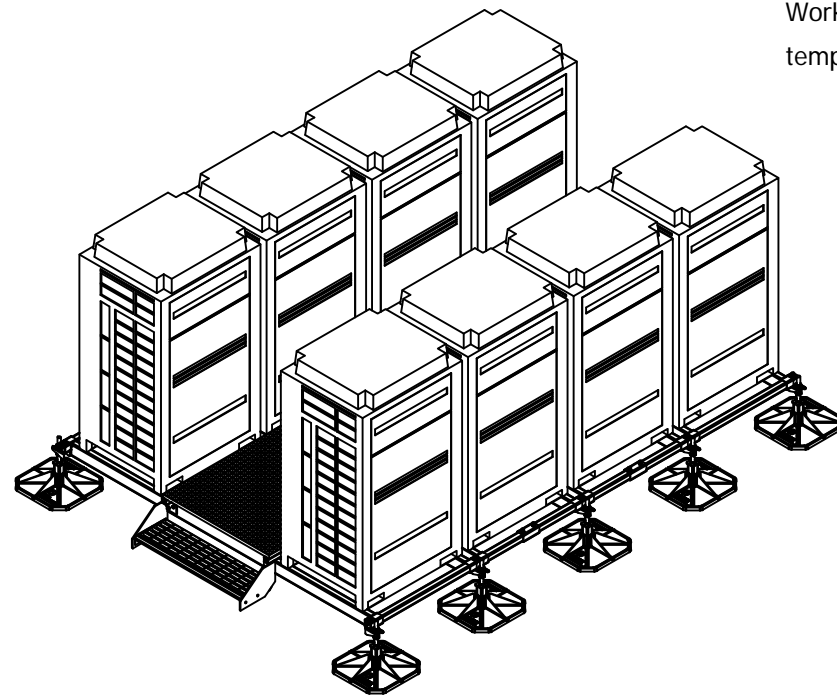
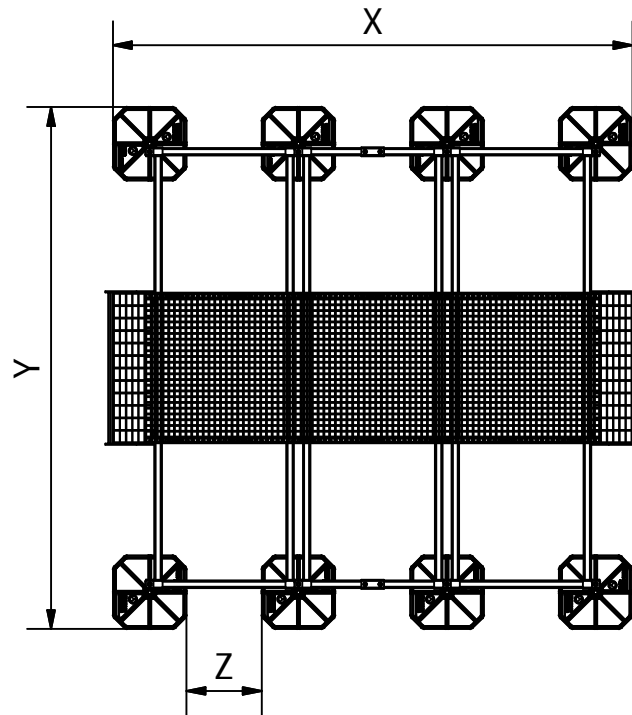
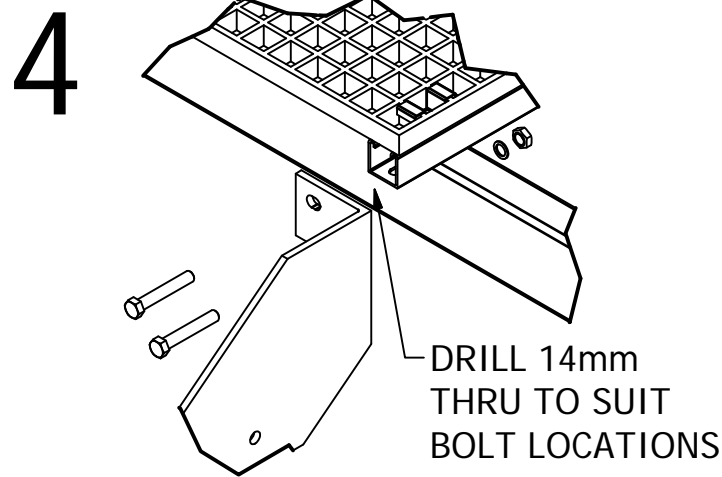
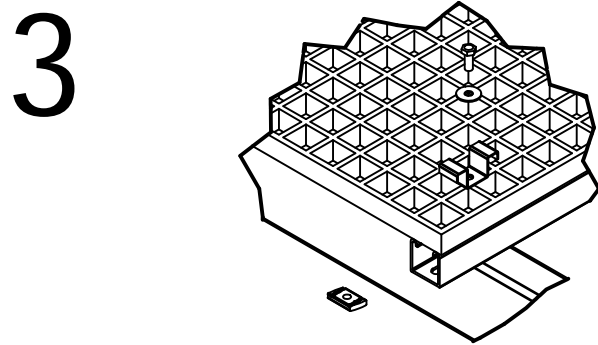
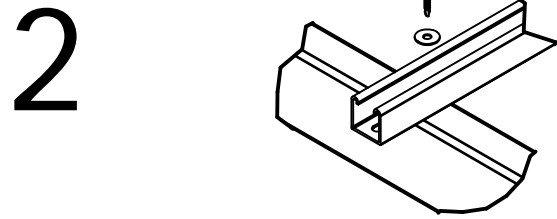


PROJECT REF:	Plant Deck Frame
UNIT REF:	N/A
FOOT PRESSURE:	N/A
UDL:	N/A

Material grade: BS EN 10219-1:2006 (S235JR). Welding standard: BS EN ISO 15614-1. Galvanizing standard: BS EN ISO 1461:2009  
 Reference specification document "Custom Fabrication Specification" (BF-SPEC-050411) for further information  
 Reference specification document "Big Foot Systems Cross Bar Specification (BF-SPEC-230610) for further information

**1** PLEASE SEE STANDARD/BESPOKE FRAME DATA SHEETS OR INSTALLATION SHEETS FOR FRAME BUILD INSTRUCTIONS/GUIDELINES



Plant Deck Frame					
Part Number		B4040	B4060	B4080	
Description		4 unit	6 unit	8 unit	
No. of feet		6	8	10	
X	Overall Length	mm	2436	3436	4436
		inches	95 14/16	135 4/16	174 10/16
Y	Overall Width	mm	3450	3450	3450
		inches	135 13/16	135 13/16	135 13/16
Z	Distance Between Feet	mm	485	495	500
		inches	19 2/16	19 8/16	19 11/16
Height	Min	mm	380	380	380
		inches	14 15/16	14 15/16	14 15/16
	Max	mm	480	480	480
		inches	18 14/16	18 14/16	18 14/16
Frame Weight		kg	230	320	410
		lbs	507	705	904
Design Load		kg	1600	2400	3200
		lbs	3527	5291	7055

Design load based on maximum allowable deflection on cross members when distributed across the bar. Big Foot's Technical Office is able to analyse deflection and bending stress based on specific load locations and therefore higher loads may be suitable.  
 Allowable foot pressure will be subject to roof build-up, typically detailed by a structural engineer. Cross bar spacings are adjustable to accommodate various unit sizes.

Working conditions: Suitable for internal or external applications in temperatures between -40°C to +80°C

Material Specification				
Part/Description	Material	Regulation Conformance	Density	
			kg/m3	lbs/ft3
Foot	Nylon GF-30%		1140	71
Mat	Rubber	BS7188:1989	650-1020	41-64
Metalwork	Galvanised Steel ASTM-A36	BS EN ISO1461:1999	7800	487
GRP Grating	GRP	BS 4592-6:2008	1500-1700	94-106

**D** 10, 13, 17 & 36mm  
 25Nm on cross bar & leg bracket bolts & self drilling screws  
 30Nm on step bolts  
 10Nm on M-Clips

Installation and application considerations should include health, safety and environmental needs, regulations and standards, codes of practice, climate conditions, installation location, product orientation, evaluation of the roof structure, composition, surface and condition, ancillary and complimentary products and materials. Big Foot Systems recommend that all rooftop products are handled and installed by suitably qualified persons. All scheme designs are based on the use of Big Foot Systems' products and materials only. Terms and conditions available on request

REV <b>A</b>	DATE:	12/05/2016	SCALE: 1:20	<b>A3</b>
	DRAWN:	S BIRCH		
	CHECKED:	A SIMMANS		
			DIMENSIONS IN mm U.O.S	
			TOLERANCES: 0.0 ± 0.5mm U.O.S	
			SHEET 1 OF 1	

TITLE:	Plant Deck Frame Product Information Sheet
DWG No.	BFP-PDF.dwg
THIS DRAWING IS COPYRIGHT AND THE PROPERTY OF BIG FOOT SYSTEMS LIMITED	

