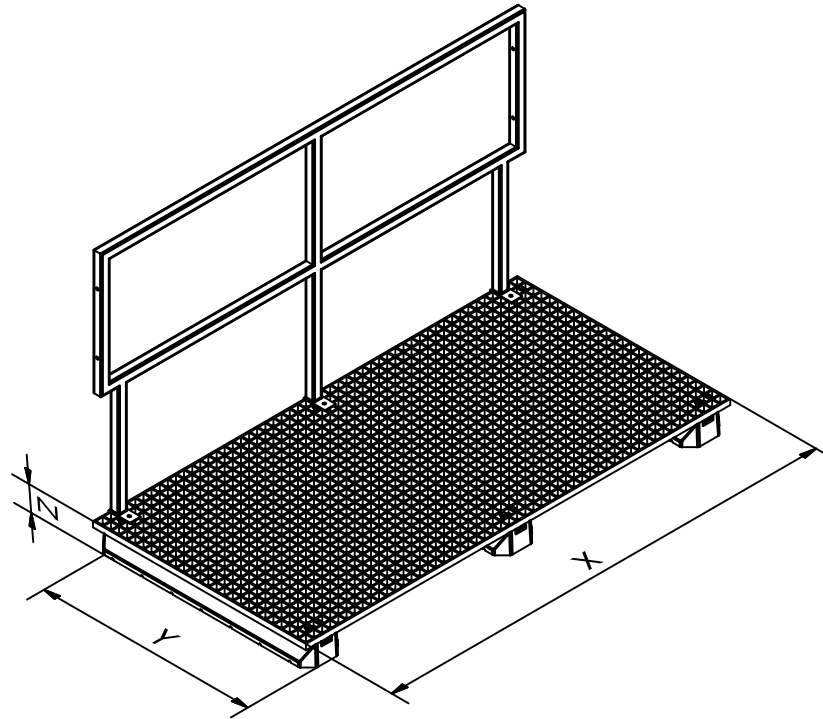
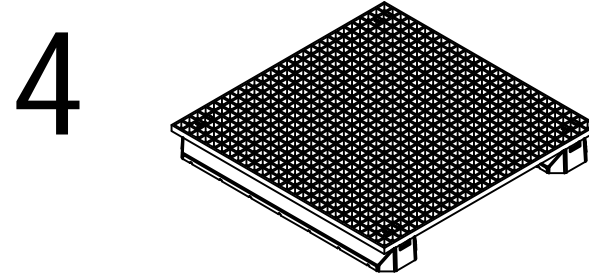
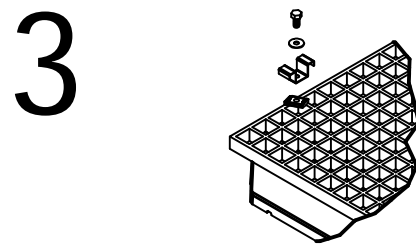
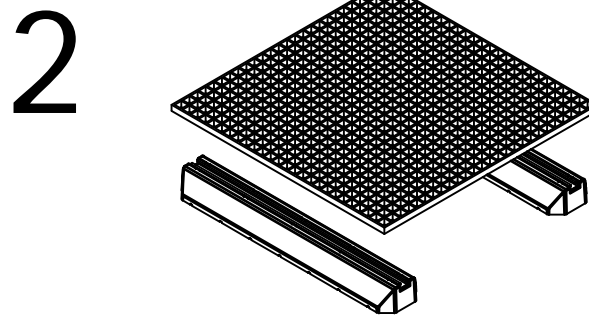
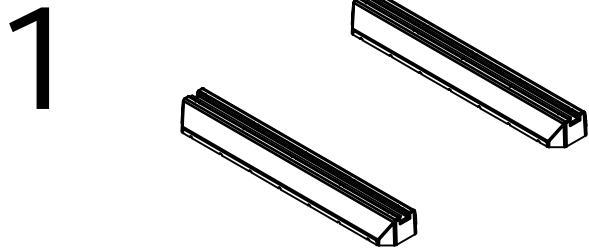


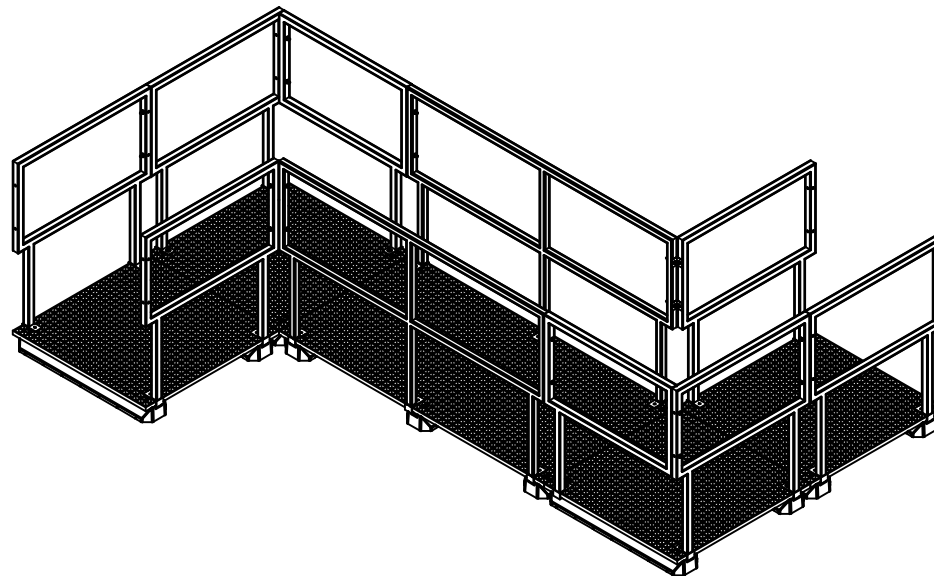
PROJECT REF:	Rapid Walkway
UNIT REF:	N/A
FOOT PRESSURE:	N/A
UDL:	N/A

Material grade: BS EN 10219-1:2006 (S235JR). Welding standard: BS EN ISO 15614-1. Galvanizing standard: BS EN ISO 1461:2009
 Reference specification document "Custom Fabrication Specification" (BF-SPEC-050411) for further information
 Reference specification document "Big Foot Systems Cross Bar Specification (BF-SPEC-230610) for further information

A UDL: N/A



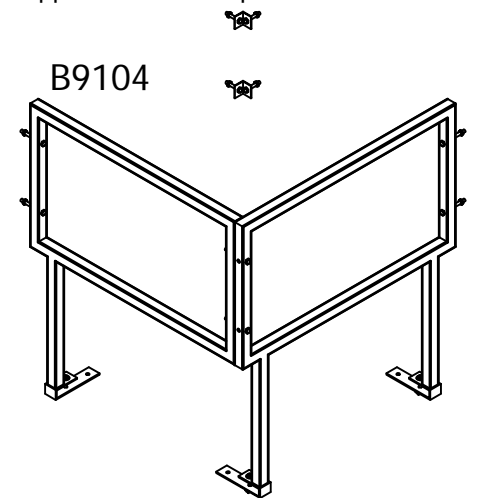
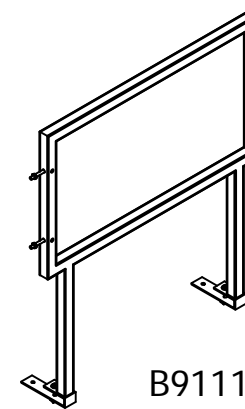
Material Specification				
Part/Description	Material	Regulation Conformance	Density	
			kg/m3	lbs/ft3
GRP Grating	GRP	BS 4592-6:2008	1500-1700	94-106
Fix-it Foot	Rubber	BS7188:1989	650-1020	41-64
	Aluminium	-	2700	169
Handrail	Galvanised Steel ASTM-A36	BS EN ISO1461:1999	7800	487



Rapid Walkway Details				
Part No.		B9105	B9106	B9107
Walkway Size	m	1.0 x 1.0	2.0 x 1.0	3.0 x 1.0
	inches	39 3/8 x 39 3/8	78 3/4 x 39 3/8	118 1/8 x 39 3/8
Number of Feet		2	3	4
X	Overall Length	mm	996	1985
		inches	39 3/16	78 1/8
Y	Overall Width	mm	1000	1000
		inches	39 3/8	39 3/8
Z	Height	mm	121	121
		inches	4 3/4	4 3/4
Weight	kg	32	54	77
	lbs	71	119	170

Design load based on maximum allowable deflection on cross members. Allowable foot pressure will be subject to roof build-up, typically detailed by a structural engineer.

Working conditions: Suitable for internal or external applications in temperatures between -40°C to +80°C



Rapid Walkway Ancillaries					
Part No.		B9111	B9112	B9113	B9104
Handrail Size	m	1.0	2.0	3.0	1.0 x 1.0
	inches	39 3/8	78 3/4	118 1/8	39 3/8 x 39 3/8
X	Overall Length	mm	996	1985	3010
		inches	39 3/16	78 1/8	118 1/2
Y	Overall Width	mm	n/a	n/a	n/a
		inches	n/a	n/a	n/a
Z	Height	mm	1100	1100	1100
		inches	43 5/16	43 5/16	43 5/16
Weight	kg	13.0	22.0	30.0	23.0
	lbs	29	49	66	51



13 & 17(x2)mm
 10Nm for M-clip bolts
 30Nm for handrail base bolts
 35Nm for handrail to handrail

Installation and application considerations should include health, safety and environmental needs, regulations and standards, codes of practice, climate conditions, installation location, product orientation, evaluation of the roof structure, composition, surface and condition, ancillary and complimentary products and materials. Big Foot Systems recommend that all rooftop products are handled and installed by suitably qualified persons. All scheme designs are based on the use of Big Foot Systems' products and materials only. Terms and conditions available on request

REV	DATE:	15/01/2016
	DRAWN:	S BIRCH
	CHECKED:	A SIMMANS

SCALE: 1 : 20
 DIMENSIONS IN mm U.O.S.
 TOLERANCES: 0.0 ± 0.5mm U.O.S.
 SHEET 1 OF 1

A3

TITLE:
Rapid Walkway Product Information Sheet
 DWG No.
BFP-RW.dwg

THIS DRAWING IS COPYRIGHT AND THE PROPERTY OF BIG FOOT SYSTEMS LIMITED

